

PRODUCT FEATURES

- Sophisticated and contemporary wall sconce design
- Features die-cast metal detailing for a sophisticated appeal Glass diffuser provides a smooth wash of light onto surrounding surfaces
- Available in three stylish diffusers, including White Frit
- Wet listed, IP65 (International Protection rating indicating resistance to dust and water; suitable
- White acrylic rectilinear shade emits a soft, even glow
- 5- year Warranty. Go to www.techlighting.com for warranty details.



LAMPING

Includes two 40 watt, mini candelabra base lamps or 10 watt, 240 delivered lumens, 3000K LED module. Mounts up only. ADA compliant.

Frost White



White Acrylic

Frost White

White Frit

ORDERING INFORMATION

700WSCOS	COLOR	FINISH	LAMP
	Y ACRYLIC LENS	Z ANTIQUE BRONZE	INCANDESCENT 120V (T20)
	F FROST	C CHROME	-LED LED 90 CRI 3000K 120V (T24)
	W WHITE FRIT	S SATIN NICKEL	-LED277 LED 80 CRI 3000K 277V

Acrylic not available with incandescent lamp.

700WSCOS _____

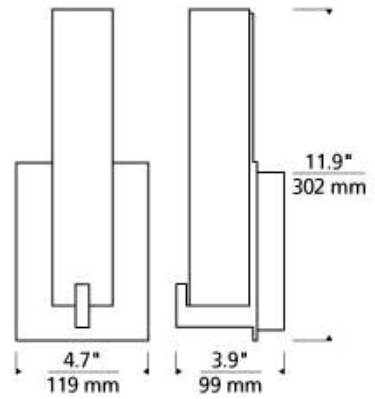
JOB NAME _____

NOTES _____



SPECIFICATIONS

HARDWARE MATERIAL	Metal
SHADE MATERIAL	Acrylic
NET WEIGHT	3.5 lbs
HEIGHT	11.9in
WIDTH	3.9in
LENGTH	4.7in
MIN. EXTENSION FROM WALL	3.9in
UP LIGHT / DOWN LIGHT / BOTH?	
WET LISTED	
DAMP LISTED	
DRY LISTED	
UP / DOWN	
HORIZONTAL / VERTICAL	
WALL / CEILING MOUNT	
GENERAL LISTING	
ADA COMPLIANT	
INCLUDES	



LAMPING SPECIFICATIONS

	LED LAMP	INTEGRATED LED	NON LED	NO LAMP
DELIVERED LUMENS	274			
WATTS	10		40	
MAX WATTAGE PER BULB	10W		40W	
INPUT VOLTAGE	120V 277V		120V	
DIMMING TYPE*	Frost, Acrylic Lens : ELV, TRIAC Frost, Acrylic Lens : 0-10V		ELV, TRIAC	
CCT	3000K		3000K	
CRI	80 CRI			
LED LIFETIME				
L70				
AVERAGE BULB HOURS	50000		2000	
FIELD SERVICEABLE LED				
LAMP BASE	Integrated LED		Bi-Pin	
LAMP SHAPE	Frost, Acrylic Lens : Integrated LED Acrylic Lens : T3		A21	
LAMP INCLUDED?	Y		Y	
WARRANTY**	5 Years		1 Year	

* Dimming information available at www.techlighting.com/Downloads#dimming

** Visit techlighting.com for specific warranty limitations and details.

T20 / T24 INFORMATION

	Integrated LED	Replacement LED Lamp	No Lamp *
This product can be used to comply with California Building Energy Efficiency Standards 2016 Title 24 Part 6.		Yes	
This product can be used to comply with California Appliance Efficiency Standards 2016 Title 20 and may be shipped to and sold in California.		N/A	

* If a light fixture or component does not include a lamp or light source, it is the responsibility of the customer to select a lamp that meets the T24 and T20 requirements.

