

KLEE 70 FLOOR LAMP

PRODUCT FEATURES

- Features a modern minimalist design with clean, geometric lines inspired by the Bauhaus movement.
- Available in three finishes, a White Marble Base accented with Polished Nickel or Natural Brass that will patina over time and a Nightshade Black finish.
- Illuminates indirect light at a warm 2700K CCT
- Integrated 3-step touch-dimmer
- Includes 6 feet of black cloth cord
- Protected by a 5-year warranty. Please visit the "About Us" Page on techlighting.com for more for warranty details

LAMPING

Includes 120-240 volt 22.2 watts, 1821.2 delivered lumens, 90 CRI 2700K LED module. Built-in three way dimming. Includes 6 feet of black cloth cord.



Natural Brass / White Marble End View



To view all available finish options, please visit techlighting.com

ORDERING INFORMATION

700PRTKLE70 FINISH

- NB NATURAL BRASS/WHITE MARBLE
- B NIGHTSHADE BLACK
- N POLISHED NICKEL/MARBLE

LAMP

-LED927 INTEGRATED LED 90 CRI 2700K 120V

700PRTKLE70 _____

JOB NAME _____

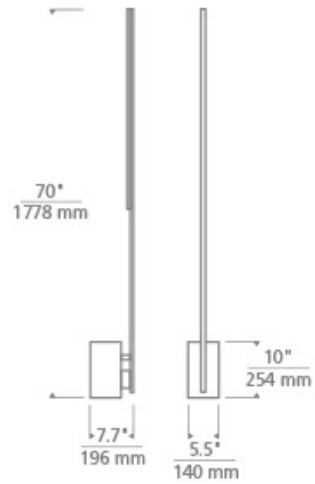
NOTES _____



KLEE 70 FLOOR LAMP

SPECIFICATIONS

HARDWARE MATERIAL	Metal
SHADE MATERIAL	Acrylic
NET WEIGHT	25 lbs
HEIGHT	70in
WIDTH	7.7in
LENGTH	5.5in
WET LISTED	
DAMP LISTED	Yes
DRY LISTED	
GENERAL LISTING	
INCLUDES	



LAMPING SPECIFICATIONS

	LED LAMP	INTEGRATED LED	NON LED	NO LAMP
DELIVERED LUMENS		1821.2		
WATTS		22.2		
MAX WATTAGE PER BULB		22.2W		
INPUT VOLTAGE		120-240V		
DIMMING TYPE*		Integrated 3-Step Touch Dimmer		
CCT		2700K		
CRI		90 CRI		
LED LIFETIME				
L70				
AVERAGE BULB HOURS				
FIELD SERVICEABLE LED				
LAMP BASE		Integrated LED		
LAMP SHAPE		Integrated LED		
LAMP INCLUDED?		Y		
WARRANTY**		5 Years		

*Dimming information available at www.techlighting.com/Downloads#dimming
 ** Visit techlighting.com for specific warranty limitations and details.

T20 / T24 INFORMATION

	Integrated LED	Replacement LED Lamp	No Lamp *
This product can be used to comply with California Building Energy Efficiency Standards 2016 Title 24 Part 6.	No		
This product can be used to comply with California Appliance Efficiency Standards 2016 Title 20 and may be shipped to and sold in California.	Yes		

* If a light fixture or component does not include a lamp or light source, it is the responsibility of the customer to select a lamp that meets the T24 and T20 requirements.

