

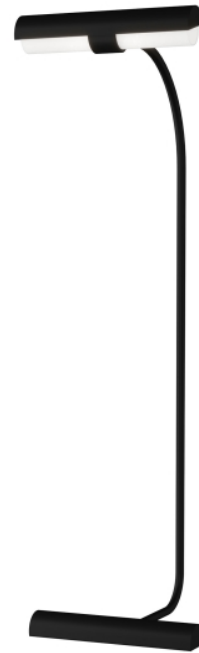
COLUMN 43 FLOOR LAMP

PRODUCT FEATURES

- Features a glass tube designed with integrated LED nested under a modern shade.
- Available in two modern finishes, Nightshade Black and Natural Brass that will patina over time.
- Complete the look with the entire Column Collection including Line-Voltage Pendants, Chandeliers and Floor Lamp.
- Integrated on/off switch
- Includes 8 feet of cord
- Protected by a 5-year warranty. Please visit the "About Us" Page on techlighting.com for more for warranty details

LAMPING

Includes 120-240 volt 8 watts, 930 delivered lumens, 3000K LED module.
Includes On/Off switch. No dimming. Includes 6 feet of black cloth cord



Nightshade Black



Nightshade Black

Natural Brass

ORDERING INFORMATION

700PRTCLM FINISH

- NB NATURAL BRASS
- B NIGHTSHADE BLACK

LAMP

-LED930 INTEGRATED LED 90 CRI 3000K 120V-240V

700PRTCLM _____

JOB NAME _____

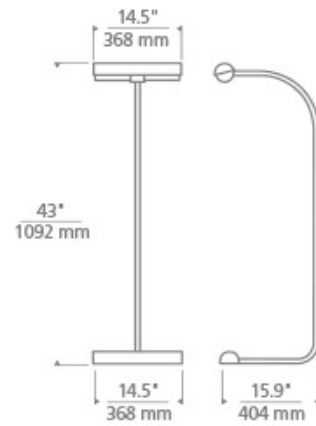
NOTES _____



CALUMN 43 FLOOR LAMP

SPECIFICATIONS

HARDWARE MATERIAL	Metal
SHADE MATERIAL	Metal
NET WEIGHT	9.5 lbs
HEIGHT	43in
WIDTH	15.9in
LENGTH	14.5in
WET LISTED	
DAMP LISTED	Yes
DRY LISTED	
GENERAL LISTING	
INCLUDES	



LAMPING SPECIFICATIONS

	LED LAMP	INTEGRATED LED	NON LED	NO LAMP
DELIVERED LUMENS		930		
WATTS		8		
MAX WATTAGE PER BULB		8W		
INPUT VOLTAGE		120-240V		
DIMMING TYPE*				
CCT		3000K		
CRI		90 CRI		
LED LIFETIME				
L70				
AVERAGE BULB HOURS		50000		
FIELD SERVICEABLE LED				
LAMP BASE		Integrated LED		
LAMP SHAPE		Integrated LED		
LAMP INCLUDED?		Y		
WARRANTY**		5 Years		

*Dimming information available at www.techlighting.com/Downloads#dimming

** Visit techlighting.com for specific warranty limitations and details.

T20 / T24 INFORMATION

	Integrated LED	Replacement LED Lamp	No Lamp *
This product can be used to comply with California Building Energy Efficiency Standards 2016 Title 24 Part 6.	Yes		
This product can be used to comply with California Appliance Efficiency Standards 2016 Title 20 and may be shipped to and sold in California.	Yes		

* If a light fixture or component does not include a lamp or light source, it is the responsibility of the customer to select a lamp that meets the T24 and T20 requirements.

