

STRATOS 24 CHANDELIER

PRODUCT FEATURES

- Add a touch of contemporary style to your space with this beautiful LED chandelier
- Medium and large diameter options perfect for addressing popular interior design trends
- Complementary Stratos LED wall sconce light also available from Tech Lighting
- Fully dimmable LED lamping options to create the desired ambiance
- High quality, long-lasting integrated LED lamping included to save you time and money
- Protected by a 5-year warranty, please visit www.techlighting.com for details



Frost / Satin Nickel
24"



Frost / Satin Nickel
24"

LAMPING

Includes 120-277 universal voltage, 30 watt, 1900 delivered lumen, 2700 LED module. Dimmable with most LED compatible ELV, TRIAC and 0-10V dimmers. Fixture provided with twelve feet of field-cutttable cable.

ORDERING INFORMATION

700STR	SHAPE OR SIZE	COLOR	LAMP
	24 24" DIAMETER	FS FROST/SATIN NICKEL KB SMOKE/BLACK	-LED927 LED 90 CRI 2700K 120V

700STR _____

JOB NAME _____

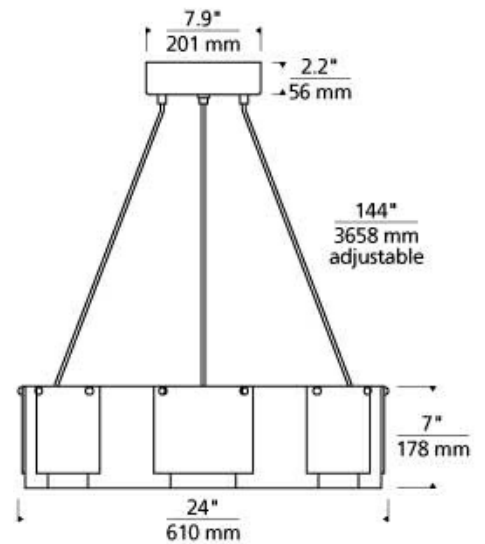
NOTES _____



STRATOS 24 CHANDELIER

SPECIFICATIONS

HARDWARE MATERIAL	Metal
SHADE MATERIAL	Glass
NET WEIGHT	6.0 lbs
HEIGHT	7in
WIDTH	24in
LENGTH	24in
UP LIGHT / DOWN LIGHT / BOTH?	
WET LISTED	
DAMP LISTED	Yes
DRY LISTED	
MIN. HANGING HEIGHT	13in
MAX HANGING HEIGHT	15in
TOTAL CORD LENGTH	144in
TOTAL STEM LENGTH	
STEM QTY	
SLOPED CEILING ADAPTABLE?	Yes
GENERAL LISTING	ETL Listed
INCLUDES	



LAMPING SPECIFICATIONS

	LED LAMP	INTEGRATED LED	NON LED	NO LAMP
DELIVERED LUMENS		1900		
WATTS		30		
MAX WATTAGE PER BULB		30W		
INPUT VOLTAGE		Universal 120V-277V		
DIMMING TYPE*		0-10, ELV, TRIAC		
CCT		2700K		
CRI		90 CRI		
LED LIFETIME				
L70				
AVERAGE BULB HOURS		50000		
FIELD SERVICEABLE LED				
LAMP BASE		Integrated LED		
LAMP SHAPE		Integrated LED		
LAMP INCLUDED?		Y		
WARRANTY**		5 Years		

* Dimming information available at www.techlighting.com/Downloads#dimming
 ** Visit techlighting.com for specific warranty limitations and details.

T20 / T24 INFORMATION

	Integrated LED	Replacement LED Lamp	No Lamp *
This product can be used to comply with California Building Energy Efficiency Standards 2016 Title 24 Part 6.			
This product can be used to comply with California Appliance Efficiency Standards 2016 Title 20 and may be shipped to and sold in California.			

* If a light fixture or component does not include a lamp or light source, it is the responsibility of the customer to select a lamp that meets the T24 and T20 requirements.

