

EXO 6 PENDANT

PRODUCT FEATURES

- Three housing sizes (6" to 36") and four rigid stem lengths (12" to 48") for maximum flexibility
- Complementary direct-mount ceiling fixtures also available from Tech Lighting
- Performance-minded, specification grade beam spread options and tool-free aiming
- Fully dimmable LED lamping options to create the desired ambiance
- High quality, long-lasting integrated LED lamping included to save you time and money
- Protected by a 5-year warranty, please visit www.techlighting.com for details



Matte White /
Gold Haze
6"

LAMPING

Includes 120-277 universal voltage 14 watt, 1047 delivered lumens, 2700K, 3000K or 3500K LED modules. Choice of 20°, 30°, 40° or 60° field changeable optics. Dimmable with most LED compatible ELV, TRIAC and 0-10V dimmers.



Matte Black / Black
6"

Matte White /
Black
6"

Matte Black /
Gold Haze
6"

Matte White /
Gold Haze
6"

To view all available finish options, please visit techlighting.com

ORDERING INFORMATION

700	SYSTEM	EXOP	SHAPE OR SIZE	BEAM SPREAD	LENGTH (A)	COLOR	FINISH	LAMP
	TD LINE-VOLTAGE PENDANTS/SUSPENSION		6 6.1"	20 20° 30 30° 40 40° 60 60°	12 12" 24 24" 36 36" 48 48"	B MATTE BLACK W MATTE WHITE	B BLACK G GOLD HAZE W WHITE	- LED 90 CRI 2700K 120V 277V LED927 UNV - LED 90 CRI 3000K 120V 277V LED930 UNV - LED 90 CRI 3500K 120V 277V LED935 UNV

Must specify stem length at time of ordering.

700 _____ EXOP _____

JOB NAME _____

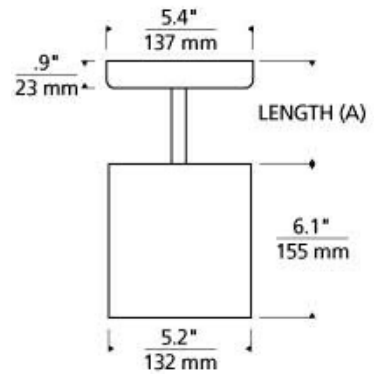
NOTES _____



EXO 6 PENDANT

SPECIFICATIONS

HARDWARE MATERIAL	Metal
SHADE MATERIAL	Metal
NET WEIGHT	2 lbs
HEIGHT	19in
WIDTH	5.2in
LENGTH	
UP LIGHT / DOWN LIGHT / BOTH?	
WET LISTED	
DAMP LISTED	Yes
DRY LISTED	
MIN. HANGING HEIGHT	6.1in
MAX HANGING HEIGHT	19in
TOTAL CORD LENGTH	
TOTAL STEM LENGTH	
STEM QTY	
SLOPED CEILING ADAPTABLE?	No
GENERAL LISTING	ETL Listed
INCLUDES	



LAMPING SPECIFICATIONS

	LED LAMP	INTEGRATED LED	NON LED	NO LAMP
DELIVERED LUMENS				
WATTS		14		
MAX WATTAGE PER BULB		15W		
INPUT VOLTAGE		Universal 120V-277V		
DIMMING TYPE*				
CCT		Matte Black, Matte White : 2700K Matte Black, Matte White : 3000K Matte Black, Matte White : 3500K		
CRI		90 CRI		
LED LIFETIME				
L70				
AVERAGE BULB HOURS				
FIELD SERVICEABLE LED				
LAMP BASE				
LAMP SHAPE				
LAMP INCLUDED?		Y		
WARRANTY**		5 Years		

* Dimming information available at www.techlighting.com/Downloads#dimming

** Visit techlighting.com for specific warranty limitations and details.

T20 / T24 INFORMATION

	Integrated LED	Replacement LED Lamp	No Lamp *
This product can be used to comply with California Building Energy Efficiency Standards 2016 Title 24 Part 6.			
This product can be used to comply with California Appliance Efficiency Standards 2016 Title 20 and may be shipped to and sold in California.			

* If a light fixture or component does not include a lamp or light source, it is the responsibility of the customer to select a lamp that meets the T24 and T20 requirements.

