

# ECHO SMALL PENDANT

## PRODUCT FEATURES

- 5 contemporary color options and high quality metal details provide style to your space
- Perfect for creating custom chandeliers popular in today's interior design trends
- Complementary Mini Echo, Echo Grande and Echo wall sconce light also available from Tech Lighting
- Ships with 6 feet of field-cuttable cord for optimal length customization
- Protected by a 1-year warranty



## LAMPING

Rated for (1) 60 watt, E11 mini candelabra (Lamp Not Included). Fixture is provided with six feet of field-cuttable cable. Dimmable with most low-voltage electronic dimmer.

Amber



Clear

Amber

Smoke

Steel Blue

## ORDERING INFORMATION

700	SYSTEM	ECP	SHAPE OR SIZE	COLOR	FINISH	LAMP
	TD LINE-VOLTAGE PENDANTS/SUSPENSION		S SMALL	A AMBER C CLEAR S SMOKE U STEEL BLUE	Z ANTIQUE BRONZE B BLACK S SATIN NICKEL W WHITE	NO LAMP

700 \_\_\_\_\_ ECP \_\_\_\_\_

JOB NAME \_\_\_\_\_

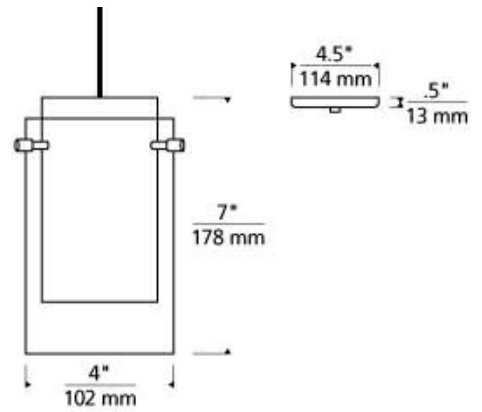
NOTES \_\_\_\_\_



# ECHO SMALL PENDANT

## SPECIFICATIONS

HARDWARE MATERIAL	Metal
SHADE MATERIAL	Glass
NET WEIGHT	1.5 lbs
HEIGHT	7in
WIDTH	4in
LENGTH	4in
UP LIGHT / DOWN LIGHT / BOTH?	
WET LISTED	
DAMP LISTED	Yes
DRY LISTED	
MIN. HANGING HEIGHT	13.5in
MAX HANGING HEIGHT	79.5in
TOTAL CORD LENGTH	72in
TOTAL STEM LENGTH	
STEM QTY	
SLOPED CEILING ADAPTABLE?	Yes
GENERAL LISTING	ETL Listed
INCLUDES	



## LAMPING SPECIFICATIONS

	LED LAMP	INTEGRATED LED	NON LED	NO LAMP
DELIVERED LUMENS				
WATTS				
MAX WATTAGE PER BULB				60W
INPUT VOLTAGE				120V
DIMMING TYPE*				ELV, TRIAC
CCT				
CRI				
LED LIFETIME				
L70				
AVERAGE BULB HOURS				
FIELD SERVICEABLE LED				
LAMP BASE				E11 Mini-Candelabra
LAMP SHAPE				E11
LAMP INCLUDED?				N
WARRANTY**				1 Year

\*Dimming information available at [www.techlighting.com/Downloads#dimming](http://www.techlighting.com/Downloads#dimming)  
 \*\* Visit [techlighting.com](http://techlighting.com) for specific warranty limitations and details.

## T20 / T24 INFORMATION

	Integrated LED	Replacement LED Lamp	No Lamp *
This product can be used to comply with California Building Energy Efficiency Standards 2016 Title 24 Part 6.			
This product can be used to comply with California Appliance Efficiency Standards 2016 Title 20 and may be shipped to and sold in California.			

\* If a light fixture or component does not include a lamp or light source, it is the responsibility of the customer to select a lamp that meets the T24 and T20 requirements.

