

# WIT PENDANT

## PRODUCT FEATURES

- An elongated cylindrical pendant designed with striking LEDs when turned on and presents as modern décor when turned off
- Available in 4 lengths and two finishes, aged brass and black, to accommodate any design space as a standalone pendant or installed in multiples
- Complete the look with the Wit Linear Suspension
- Includes two 6 inch & four 12 inch stems in coordinating finish
- Can be installed on a sloped ceiling up to 45°
- Protected by a 5-year warranty. please visit the "About Us" Page on [techlighting.com](http://techlighting.com) for more for warranty details



5-Glass/Black

## LAMPING

4 Glass. 120 volt, 40 watts, 2800 delivered lumens, 3000K, LED linear module. 5 Glass. 120 volt, 54 watts, 3800 delivered lumens, 3000K, LED linear module. 6 Glass. 120 volt, 68 watts, 4800 delivered lumens, 3000K, LED linear module. 7 Glass. 120 volt, 82 watts, 5800 delivered lumens, 3000K, LED linear module. DIMMABLE with most LED compatible ELV, TRIAC and 0-10V dimmers. Includes two 6 inch & four 12 inch stems in coordinating finish. Can be installed on a sloped ceiling up to 45°.



3-Glass/Aged Brass



3-Glass/Black



4-Glass/Aged Brass



4-Glass/Black

To view all available finish options, please visit [techlighting.com](http://techlighting.com)

## ORDERING INFORMATION

700TD	SYSTEM	WIT	SHAPE OR SIZE	FINISH	LAMP
	TD LINE-VOLTAGE PENDANTS/SUSPENSION	3	3 GLASS	R AGED BRASS	-LED930
		4	4 GLASS	B BLACK	-LED930 INTEGRATED LED 90 CRI 3000K 120-277V UNV (T24)
		5	5 GLASS		
		6	6 GLASS		
		7	7 GLASS		

700TD \_\_\_\_\_ WIT \_\_\_\_\_

JOB NAME \_\_\_\_\_

NOTES \_\_\_\_\_

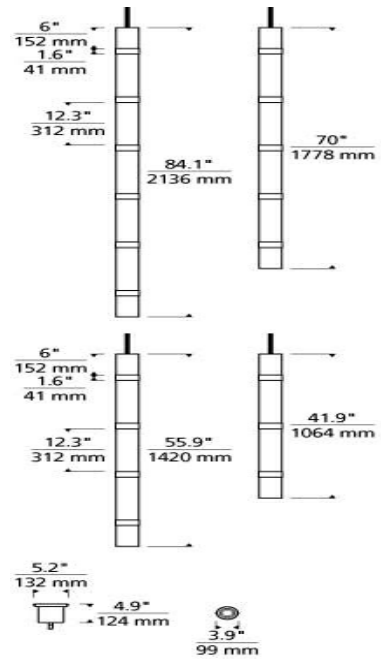


# WIT PENDANT



## SPECIFICATIONS

HARDWARE MATERIAL	Metal
SHADE MATERIAL	Glass
NET WEIGHT	6 lbs
HEIGHT	27.8in
WIDTH	3.9in
LENGTH	3.9in
UP LIGHT / DOWN LIGHT / BOTH?	
WET LISTED	
DAMP LISTED	Yes
DRY LISTED	
MIN. HANGING HEIGHT	33.8in
MAX HANGING HEIGHT	87.8in
TOTAL CORD LENGTH	
TOTAL STEM LENGTH	Up to 60in
STEM QTY	6
SLOPED CEILING ADAPTABLE?	Yes
GENERAL LISTING	ETL Listed
INCLUDES	



## LAMPING SPECIFICATIONS

	LED LAMP	INTEGRATED LED	NON LED	NO LAMP
DELIVERED LUMENS		1800		
		2800		
		3800		
		4800		
		5800		
WATTS		26		
		40		
		54		
		68		
		82		
MAX WATTAGE PER BULB		26W		
INPUT VOLTAGE		Universal 120V-277VV		
DIMMING TYPE*		0-10, ELV, TRIAC		
CCT		3000K		
CRI		90 CRI		
LED LIFETIME				
L70				
AVERAGE BULB HOURS		50000		
FIELD SERVICEABLE LED				
LAMP BASE		Integrated LED		
LAMP SHAPE		Integrated LED		
LAMP INCLUDED?		Y		
WARRANTY**		5 Years		

\* Dimming information available at [www.techlighting.com/Downloads#dimming](http://www.techlighting.com/Downloads#dimming)

\*\* Visit [techlighting.com](http://techlighting.com) for specific warranty limitations and details.

## T20 / T24 INFORMATION

	Integrated LED	Replacement LED Lamp	No Lamp *
This product can be used to comply with California Building Energy Efficiency Standards 2016 Title 24 Part 6.			
This product can be used to comply with California Appliance Efficiency Standards 2016 Title 20 and may be shipped to and sold in California.			

\* If a light fixture or component does not include a lamp or light source, it is the responsibility of the customer to select a lamp that meets the T24 and T20 requirements.

