

PRODUCT FEATURES

- Designed for the modern minimalist, powerful integrated LED illuminates a thin vertical line of light
- 17" tall and 4.25" wide
- Available in two finishes, matte black and chrome
- Great for bathroom, office and hallway setting
- Lamping options are compatible with most dimmers
- Protected by a 5-year warranty. please visit the "About Us" Page on techlighting.com for more for warranty details

LAMPING

120 volt 10.8 watt, 734 delivered lumens, 3000K LED module. Dimmable with most LED compatible ELV and TRIAC dimmers. 277V compatible with 0-10V dimmers. Mounts up or down



Matte Black
Side View



Chrome



Chrome
Side View



Matte Black



Matte Black
Side View

ORDERING INFORMATION

700WSKNW FINISH

- C CHROME
- B MATTE BLACK

LAMP

- LED930 LED 90 CRI 3000K 120V (T20/T24)
- LED930-277 LED 90 CRI 3000K 277V (T20/T24)

700WSKNW _____

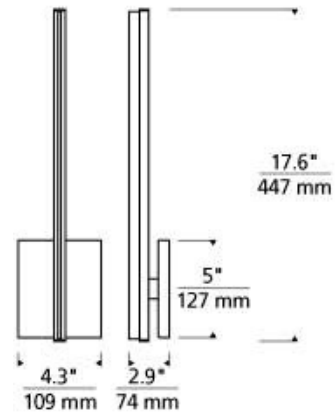
JOB NAME _____

NOTES _____



SPECIFICATIONS

HARDWARE MATERIAL	Metal
SHADE MATERIAL	Acrylic
NET WEIGHT	1.25 lbs
HEIGHT	17.6in
WIDTH	2.1in
LENGTH	4.3in
MIN. EXTENSION FROM WALL	2.1in
UP LIGHT / DOWN LIGHT / BOTH?	
WET LISTED	
DAMP LISTED	Yes
DRY LISTED	
UP / DOWN	
HORIZONTAL / VERTICAL	
WALL / CEILING MOUNT	
SLOPED CEILING ADAPTABLE?	No
GENERAL LISTING	ETL Listed
ADA COMPLIANT	
INCLUDES	



LAMPING SPECIFICATIONS

	LED LAMP	INTEGRATED LED	NON LED	NO LAMP
DELIVERED LUMENS		700.8		
WATTS		10.8		
MAX WATTAGE PER BULB		10.8W		
INPUT VOLTAGE		120V 277V		
DIMMING TYPE*		ELV, TRIAC 0-10V		
CCT		3000K		
CRI		90 CRI		
LED LIFETIME				
L70				
AVERAGE BULB HOURS		50000		
FIELD SERVICEABLE LED				
LAMP BASE		Integrated LED		
LAMP SHAPE		Integrated LED		
LAMP INCLUDED?		Y		
WARRANTY**		5 Years		

* Dimming information available at www.techlighting.com/Downloads#dimming

** Visit techlighting.com for specific warranty limitations and details.

T20 / T24 INFORMATION

	Integrated LED	Replacement LED Lamp	No Lamp *
This product can be used to comply with California Building Energy Efficiency Standards 2016 Title 24 Part 6.			
This product can be used to comply with California Appliance Efficiency Standards 2016 Title 20 and may be shipped to and sold in California.			

* If a light fixture or component does not include a lamp or light source, it is the responsibility of the customer to select a lamp that meets the T24 and T20 requirements.

