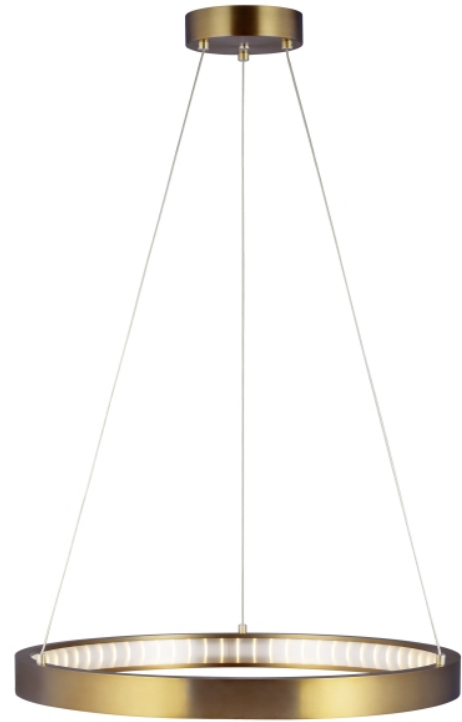


# BODIAM 24 SUSPENSION

## PRODUCT FEATURES

- Inspired by large medieval cast iron chandeliers
- 24" and 30" available in aged brass, satin nickel, and antique bronze. 48" diameter available in antique bronze and satin nickel
- Features a thick outer metal ring that houses dual stacked rows of inward firing LEDs
- Fixture provided with twelve feet of field-cutttable cable to match finish selection
- Fully dimmable integrated LED lamping option creates the desired ambiance
- Protected by a 5-year warranty



Aged Brass

## LAMPING

Includes 15.1 watt, 1036.7 delivered lumens, 3000K LED module. Dimmable with most LED compatible ELV and TRIAC dimmers. Fixture provided with twelve feet of field-cutttable cable to match finish selection.



Antique Bronze

Satin Nickel

Aged Brass

## ORDERING INFORMATION

700BOD	SHAPE OR SIZE	FINISH	LAMP
	24 24" DIAMETER	R AGED BRASS Z ANTIQUE BRONZE S SATIN NICKEL	-LED930 INTEGRATED LED 90 CRI 3000K 120V (T24)

700BOD \_\_\_\_\_

JOB NAME \_\_\_\_\_

NOTES \_\_\_\_\_

\_\_\_\_\_

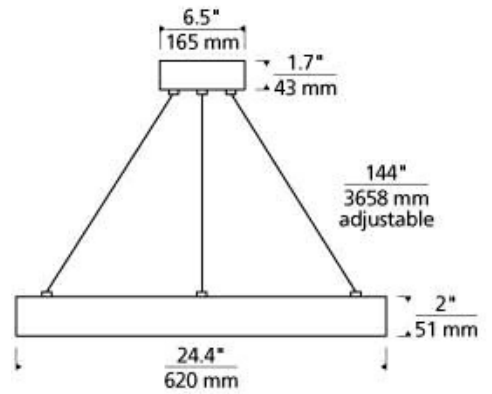
\_\_\_\_\_



# BODIAM 24 SUSPENSION

## SPECIFICATIONS

HARDWARE MATERIAL	Metal
SHADE MATERIAL	Aluminum
NET WEIGHT	8 lbs
HEIGHT	2in
WIDTH	24in
LENGTH	24in
UP LIGHT / DOWN LIGHT / BOTH?	
WET LISTED	
DAMP LISTED	Yes
DRY LISTED	
MIN. HANGING HEIGHT	15.7in
MAX HANGING HEIGHT	147.7in
TOTAL CORD LENGTH	144in
TOTAL STEM LENGTH	
STEM QTY	
SLOPED CEILING ADAPTABLE?	Yes
GENERAL LISTING	ETL Listed
INCLUDES	



## LAMPING SPECIFICATIONS

	LED LAMP	INTEGRATED LED	NON LED	NO LAMP
DELIVERED LUMENS		1036.7		
WATTS		15.1		
MAX WATTAGE PER BULB		15.1W		
INPUT VOLTAGE		120V		
DIMMING TYPE*		ELV, TRIAC		
CCT		3000K		
CRI		90 CRI		
LED LIFETIME				
L70				
AVERAGE BULB HOURS		50000		
FIELD SERVICEABLE LED				
LAMP BASE		Integrated LED		
LAMP SHAPE		Integrated LED		
LAMP INCLUDED?		Y		
WARRANTY**		5 Years		

\* Dimming information available at [www.techlighting.com/Downloads#dimming](http://www.techlighting.com/Downloads#dimming)

\*\* Visit [techlighting.com](http://techlighting.com) for specific warranty limitations and details.

## T20 / T24 INFORMATION

	Integrated LED	Replacement LED Lamp	No Lamp *
This product can be used to comply with California Building Energy Efficiency Standards 2016 <b>Title 24</b> Part 6.			
This product can be used to comply with California Appliance Efficiency Standards 2016 <b>Title 20</b> and may be shipped to and sold in California.			

\* If a light fixture or component does not include a lamp or light source, it is the responsibility of the customer to select a lamp that meets the T24 and T20 requirements.

