

# GRACE 36 CHANDELIER

## PRODUCT FEATURES

- Halo of light is gracefully created by two rings with integrated LED technology
- Available as a weathered oak ring with a black inner ring and available as two aged brass rings
- Offered in two large diameters, 30" and 36"
- Ships with 12 feet of field-cuttable cable
- Dimmable with low-voltage electronic dimmer
- Protected by a 5-year warranty. please visit the "About Us" Page on [techlighting.com](http://techlighting.com) for more for warranty details



## LAMPING

Includes 120 volt 72 watt, 5830 total delivered lumens, 3000K LED module. Dimmable with most LED compatible ELV and TRIAC dimmers. Ships with 12 feet of field-cuttable cable.

Matte Black/Weathered Oak Wood



Aged Brass

Matte Black/Weathered Oak Wood

## ORDERING INFORMATION

| 700GRC | LENGTH (A) | FINISH  | LAMP  |
|--------|------------|---|---|
|        | 36 36"     | R AGED BRASS<br>BW MATTE BLACK/WEATHERED OAK WOOD | -LED930 INTEGRATED LED 90CRI 3000K 120V (T24) |

700GRC \_\_\_\_\_

JOB NAME \_\_\_\_\_

NOTES \_\_\_\_\_

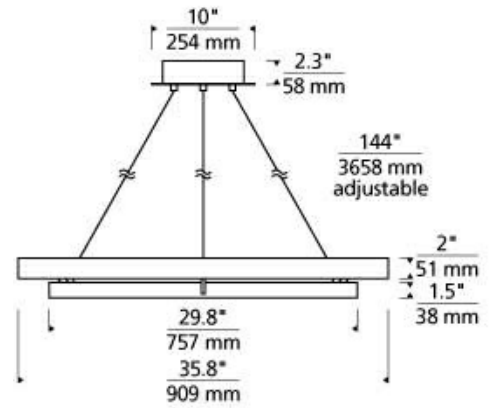
\_\_\_\_\_



# GRACE 36 CHANDELIER

## SPECIFICATIONS

|                               |            |
|-------------------------------|------------|
| HARDWARE MATERIAL             | Metal      |
| SHADE MATERIAL                | Aluminum   |
| NET WEIGHT                    | 23 lbs     |
| HEIGHT                        | 3.5in      |
| WIDTH                         | 35.8in     |
| LENGTH                        | 35.8in     |
| UP LIGHT / DOWN LIGHT / BOTH? |            |
| WET LISTED                    |            |
| DAMP LISTED                   | Yes        |
| DRY LISTED                    |            |
| MIN. HANGING HEIGHT           | 11.8in     |
| MAX HANGING HEIGHT            | 149.8in    |
| TOTAL CORD LENGTH             | 144in      |
| TOTAL STEM LENGTH             |            |
| STEM QTY                      |            |
| SLOPED CEILING ADAPTABLE?     | Yes        |
| GENERAL LISTING               | ETL Listed |
| INCLUDES                      |            |



## LAMPING SPECIFICATIONS

|                       | LED LAMP | INTEGRATED LED | NON LED | NO LAMP |
|-----------------------|----------|----------------|---------|---------|
| DELIVERED LUMENS      |          | 5830           |         |         |
| WATTS                 |          | 72             |         |         |
| MAX WATTAGE PER BULB  |          | 72W            |         |         |
| INPUT VOLTAGE         |          | 120V           |         |         |
| DIMMING TYPE*         |          | ELV, TRIAC     |         |         |
| CCT                   |          | 3000K          |         |         |
| CRI                   |          | 90 CRI         |         |         |
| LED LIFETIME          |          |                |         |         |
| L70                   |          |                |         |         |
| AVERAGE BULB HOURS    |          | 50000          |         |         |
| FIELD SERVICEABLE LED |          |                |         |         |
| LAMP BASE             |          | Integrated LED |         |         |
| LAMP SHAPE            |          | Integrated LED |         |         |
| LAMP INCLUDED?        |          | Y              |         |         |
| WARRANTY**            |          | 5 Years        |         |         |

\*Dimming information available at [www.techlighting.com/Downloads#dimming](http://www.techlighting.com/Downloads#dimming)

\*\* Visit [techlighting.com](http://techlighting.com) for specific warranty limitations and details.

## T20 / T24 INFORMATION

|   | Integrated LED | Replacement LED Lamp | No Lamp * |
|---|----------------|----------------------|-----------|
| This product can be used to comply with California Building Energy Efficiency Standards 2016 Title 24 Part 6.                                 |                |                      |           |
| This product can be used to comply with California Appliance Efficiency Standards 2016 Title 20 and may be shipped to and sold in California. |                |                      |           |

\* If a light fixture or component does not include a lamp or light source, it is the responsibility of the customer to select a lamp that meets the T24 and T20 requirements.

