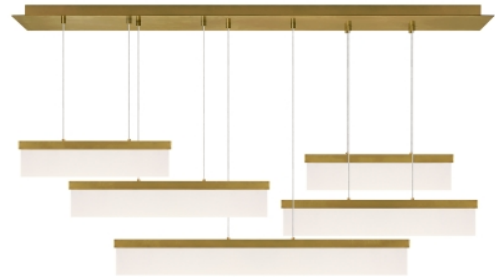


SWEEP LINEAR CHANDELIER



PRODUCT FEATURES

- Modern architectural linear suspension designed with five ultra-thin rectilinear light panels
- Offered in two finishes, aged brass and satin nickel
- Generously sized at 58" long
- Ships with 12 feet of field-cuttable cable
- Lamping options are compatible with most dimmers
- Protected by a 5-year warranty. please visit the "About Us" Page on techlighting.com for more for warranty details



LAMPING

Includes 120 volt 95.8 watts, 3869 total delivered lumens, 3000K LED linear modules. Dimmable with most LED compatible ELV and TRIAC dimmers. Ships with 12 feet of field-cuttable cable.

Aged Brass



Aged Brass

Polished Nickel

ORDERING INFORMATION

700LSSWP FINISH	LAMP
R AGED BRASS	-LED930 INTEGRATED LED 90 CRI 3000K 120V
N POLISHED NICKEL	

700LSSWP _____

JOB NAME _____

NOTES _____

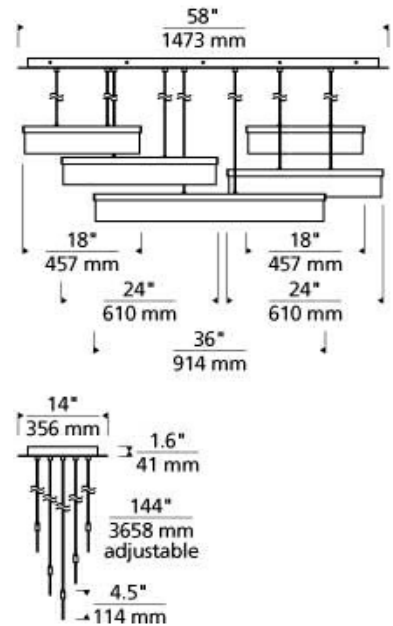


SWEEP LINEAR CHANDELIER



SPECIFICATIONS

HARDWARE MATERIAL	Metal
SHADE MATERIAL	Acrylic
NET WEIGHT	50 lbs
HEIGHT	12.1in
WIDTH	14in
LENGTH	58in
UP LIGHT / DOWN LIGHT / BOTH?	
WET LISTED	
DAMP LISTED	Yes
DRY LISTED	
MIN. HANGING HEIGHT	12.1in
MAX HANGING HEIGHT	150.1in
TOTAL CORD LENGTH	144in
TOTAL STEM LENGTH	
STEM QTY	
SLOPED CEILING ADAPTABLE?	No
GENERAL LISTING	ETL Listed
INCLUDES	



LAMPING SPECIFICATIONS

	LED LAMP	INTEGRATED LED	NON LED	NO LAMP
DELIVERED LUMENS		3869		
WATTS		95.8		
MAX WATTAGE PER BULB		95.8W		
INPUT VOLTAGE		120V		
DIMMING TYPE*		ELV, TRIAC		
CCT		3000K		
CRI		90 CRI		
LED LIFETIME				
L70				
AVERAGE BULB HOURS		50000		
FIELD SERVICEABLE LED				
LAMP BASE		Integrated LED		
LAMP SHAPE		Integrated LED		
LAMP INCLUDED?		Y		
WARRANTY**		5 Years		

*Dimming information available at www.techlighting.com/Downloads#dimming
 ** Visit techlighting.com for specific warranty limitations and details.

T20 / T24 INFORMATION

	Integrated LED	Replacement LED Lamp	No Lamp *
This product can be used to comply with California Building Energy Efficiency Standards 2016 Title 24 Part 6.			
This product can be used to comply with California Appliance Efficiency Standards 2016 Title 20 and may be shipped to and sold in California.			

* If a light fixture or component does not include a lamp or light source, it is the responsibility of the customer to select a lamp that meets the T24 and T20 requirements.

