

BELTERRA 38 CHANDELIER

PRODUCT FEATURES

- Designed with LED light guides to illuminate this chandelier inspired by the Lotus flower
- Available in two sizes and three finishes, aged brass, matte black and polished nickel
- Can be installed on a sloped ceiling up to 45°
- Ships with (4) 12" and (2) 6" rigid stems in coordinating finish
- Dimmable with low-voltage electronic dimmer
- Protected by a 5-year warranty. please visit the "About Us" Page on techlighting.com for more for warranty details



LAMPING

Includes 50.4 watts, 3974.3 total delivered lumens, 3000K LED linear modules. Dimmable with most LED compatible ELV and TRIAC dimmers. Ships with (4) 12" and (2) 6" rigid stems in coordinating finish. Can be installed on a sloped ceiling up to 45°.

Aged Brass



Aged Brass

Matte Black

Polished Nickel

ORDERING INFORMATION

700BLT	SHAPE OR SIZE	FINISH	LAMP
	38 38" DIAMETER	R AGED BRASS B MATTE BLACK N POLISHED NICKEL	-LED930 INTEGRATED LED 90 CRI 3000K 120V (T20/T24)

700BLT _____

JOB NAME _____

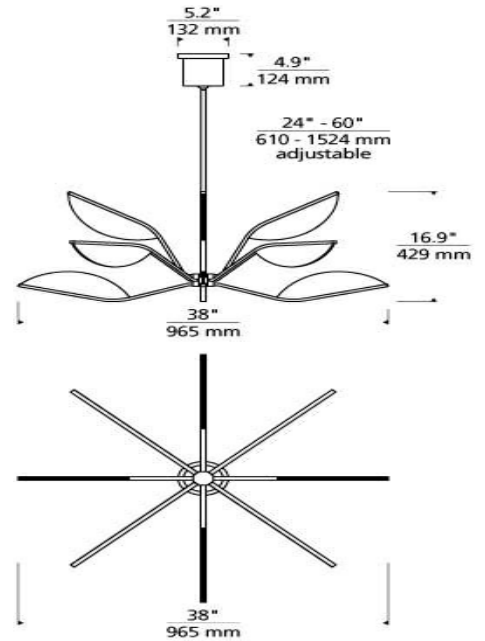
NOTES _____



BELTERRA 38 CHANDELIER

SPECIFICATIONS

HARDWARE MATERIAL	Metal
SHADE MATERIAL	Acrylic
NET WEIGHT	8.5 lbs
HEIGHT	16.9in
WIDTH	38in
LENGTH	38in
UP LIGHT / DOWN LIGHT / BOTH?	
WET LISTED	
DAMP LISTED	Yes
DRY LISTED	
MIN. HANGING HEIGHT	45.8in
MAX HANGING HEIGHT	81.8in
TOTAL CORD LENGTH	
TOTAL STEM LENGTH	Up to 60in
STEM QTY	6
SLOPED CEILING ADAPTABLE?	Yes
GENERAL LISTING	ETL Listed
INCLUDES	



LAMPING SPECIFICATIONS

	LED LAMP	INTEGRATED LED	NON LED	NO LAMP
DELIVERED LUMENS		3540		
WATTS		4.2		
MAX WATTAGE PER BULB		50.4W		
INPUT VOLTAGE		120V		
DIMMING TYPE*		ELV, TRIAC		
CCT		3000K		
CRI		90 CRI		
LED LIFETIME				
L70				
AVERAGE BULB HOURS		50000		
FIELD SERVICEABLE LED				
LAMP BASE		Integrated LED		
LAMP SHAPE		Integrated LED		
LAMP INCLUDED?		Y		
WARRANTY**		5 Years		

*Dimming information available at www.techlighting.com/Downloads#dimming

** Visit techlighting.com for specific warranty limitations and details.

T20 / T24 INFORMATION

	Integrated LED	Replacement LED Lamp	No Lamp *
This product can be used to comply with California Building Energy Efficiency Standards 2016 Title 24 Part 6.	Yes		
This product can be used to comply with California Appliance Efficiency Standards 2016 Title 20 and may be shipped to and sold in California.	Yes		

* If a light fixture or component does not include a lamp or light source, it is the responsibility of the customer to select a lamp that meets the T24 and T20 requirements.

