

## PRODUCT FEATURES

- A glowing integrated LED lamp sits against an elliptical reflector. installation options for indoors and outdoor
- Offered as matte black outer shade with a matte white inner reflector, all matte black and all aged brass (indoor-only)
- Available in three sizes, 13", 16" and 20"
- Complete the look with other fixtures in the Joni family, such as the Joni pendant and flush mount
- Mounts up only
- Protected by a 5-year warranty. please visit the "About Us" Page on [techlighting.com](http://techlighting.com) for more for warranty details



Aged Brass  
Side View

## LAMPING

Includes 120-277 volt universal 12.5 watt, 737 delivered lumens, 3000K LED module. Dimmable with most LED compatible ELV, TRIAC and 0-10V dimmers. Mounts vertically or horizontally.



To view all available finish options, please visit [techlighting.com](http://techlighting.com)

## ORDERING INFORMATION

700WSJNI	LENGTH (A)	FINISH	LAMP
	13 13"	R AGED BRASS BB MATTE BLACK / MATTE BLACK BW MATTE BLACK / MATTE WHITE	-LED930 INTEGRATED LED 90 CRI 3000K 120V-277V UNV (T24)

700WSJNI \_\_\_\_\_

JOB NAME \_\_\_\_\_

NOTES \_\_\_\_\_

\_\_\_\_\_

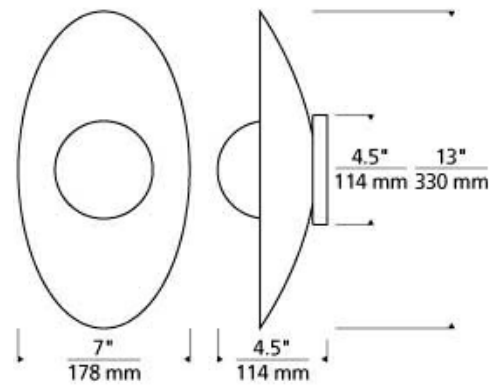
\_\_\_\_\_



# JONI 13 WALL

## SPECIFICATIONS

HARDWARE MATERIAL	Metal
SHADE MATERIAL	Glass
NET WEIGHT	2 lbs
HEIGHT	13in
WIDTH	4.5in
LENGTH	7in
MIN. EXTENSION FROM WALL	4.5in
UP LIGHT / DOWN LIGHT / BOTH?	
WET LISTED	Yes
DAMP LISTED	
DRY LISTED	
UP / DOWN	
HORIZONTAL / VERTICAL	
WALL / CEILING MOUNT	
SLOPED CEILING ADAPTABLE?	No
GENERAL LISTING	ETL Listed
ADA COMPLIANT	
INCLUDES	



## LAMPING SPECIFICATIONS

	LED LAMP	INTEGRATED LED	NON LED	NO LAMP
DELIVERED LUMENS		737		
WATTS		12.5		
MAX WATTAGE PER BULB		12.5W		
INPUT VOLTAGE		Universal 120V-277V		
DIMMING TYPE*		0-10, ELV, TRIAC		
CCT		3000K		
CRI		90 CRI		
LED LIFETIME				
L70				
AVERAGE BULB HOURS		50000		
FIELD SERVICEABLE LED				
LAMP BASE		Integrated LED		
LAMP SHAPE		Integrated LED		
LAMP INCLUDED?		Y		
WARRANTY**		5 Years		

\*Dimming information available at [www.techlighting.com/Downloads#dimming](http://www.techlighting.com/Downloads#dimming)

\*\* Visit [techlighting.com](http://techlighting.com) for specific warranty limitations and details.

## T20 / T24 INFORMATION

	Integrated LED	Replacement LED Lamp	No Lamp *
This product can be used to comply with California Building Energy Efficiency Standards 2016 <b>Title 24</b> Part 6.			
This product can be used to comply with California Appliance Efficiency Standards 2016 <b>Title 20</b> and may be shipped to and sold in California.			

\* If a light fixture or component does not include a lamp or light source, it is the responsibility of the customer to select a lamp that meets the T24 and T20 requirements.

