

PRODUCT FEATURES

- This modern ceiling mount fixture features clusters of five frosted glass spurs illuminated by diffused LEDs
- Extending 30" from tip to tip, the Spur ceiling mount becomes a statement piece in any room setting
- Available in three finishes, aged brass, matte black and satin nickel
- Complete the look with the entire Spur family, including the chandeliers, wall sconce and pendant
- Ceiling mount only
- Protected by a 5-year warranty. please visit the "About Us" Page on techlighting.com for more for warranty details



LAMPING

Includes 120-277 volt universal 42.7 watts, 3001.4 total delivered lumens, 2700K LED module. Dimmable with most LED compatible 0-10V dimmers. Ceiling mount only.

Frost/Aged Brass



Frost/Aged Brass

Frost/Satin Nickel

Frost/Matte Black

ORDERING INFORMATION

700FMSPR	FINISH	LAMP
	R AGED BRASS	-LED927 INTEGRATED LED 90 CRI 2700K 120V-277V UNV (T24)
	B MATTE BLACK	
	S SATIN NICKEL	

700FMSPR _____

JOB NAME _____

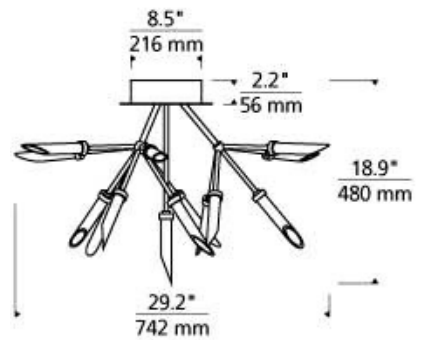
NOTES _____



SPUR CEILING

SPECIFICATIONS

HARDWARE MATERIAL	Metal
SHADE MATERIAL	Glass
NET WEIGHT	9.5 lbs
HEIGHT	18.9in
WIDTH	29.2in
LENGTH	29.2in
UP LIGHT / DOWN LIGHT / BOTH?	
WET LISTED	
DAMP LISTED	Yes
DRY LISTED	
WALL / CEILING MOUNT	
GENERAL LISTING	ETL Listed
INCLUDES	



LAMPING SPECIFICATIONS

	LED LAMP	INTEGRATED LED	NON LED	NO LAMP
DELIVERED LUMENS		3001.4		
WATTS		42.7		
MAX WATTAGE PER BULB		42.7W		
INPUT VOLTAGE		Universal 120V-277V		
DIMMING TYPE*		0-10V		
CCT		2700K		
CRI		90 CRI		
LED LIFETIME				
L70		>50000		
AVERAGE BULB HOURS				
FIELD SERVICEABLE LED				
LAMP BASE		Integrated LED		
LAMP SHAPE		Integrated LED		
LAMP INCLUDED?		Y		
WARRANTY**		5 Years		

*Dimming information available at www.techlighting.com/Downloads#dimming

** Visit techlighting.com for specific warranty limitations and details.

T20 / T24 INFORMATION

	Integrated LED	Replacement LED Lamp	No Lamp *
This product can be used to comply with California Building Energy Efficiency Standards 2016 Title 24 Part 6.	Yes		
This product can be used to comply with California Appliance Efficiency Standards 2016 Title 20 and may be shipped to and sold in California.	N/A		

* If a light fixture or component does not include a lamp or light source, it is the responsibility of the customer to select a lamp that meets the T24 and T20 requirements.

