

SYCAMORE 9 CHANDELIER

PRODUCT FEATURES

- Whimsical tree branch patterned design
- Warm glowing light emitted using candelabra bulbs
- Beautiful contemporary smoke colored glass globes
- Complementary 3-Light Semi-Flush mount also available by Tech Lighting
- Ideal for dining rooms, conference rooms and various commercial applications
- 1 year warranty with no lamping option. 1 year warranty with LED lamping option, visit techlighting.com for more warranty details



LAMPING

Includes three 12" stems, two 6" stems and one 3" stem. Available with or without lamp. E12 candelabra base sockets 5w max. LED version includes (9) 2 watt 777 total delivered lumens 90CRI 2700K LED T6. Dimmable with most LED compatible ELV and TRIAC dimmers. 120v.

Smoke



Smoke

ORDERING INFORMATION

700SYC	COLOR	FINISH	LAMP
	K SMOKE	S SATIN NICKEL	NO LAMP -LED927 LED 90 CRI 2700K 120V (T20/T24)

700SYC _____

JOB NAME _____

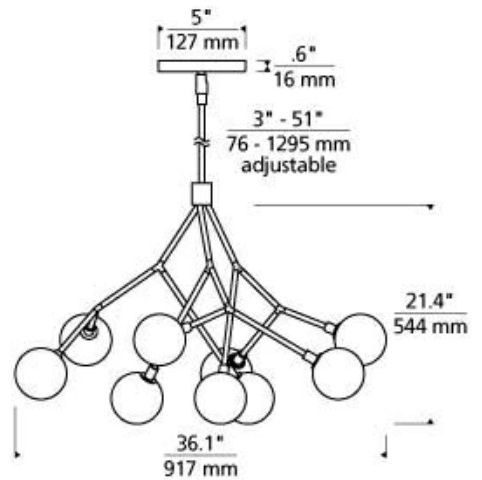
NOTES _____



SYCAMORE 9 CHANDELIER

SPECIFICATIONS

HARDWARE MATERIAL	Metal
SHADE MATERIAL	Glass
NET WEIGHT	16 lbs
HEIGHT	21.4in
WIDTH	36.1in
LENGTH	36.1in
UP LIGHT / DOWN LIGHT / BOTH?	
WET LISTED	
DAMP LISTED	Yes
DRY LISTED	
MIN. HANGING HEIGHT	25in
MAX HANGING HEIGHT	73in
TOTAL CORD LENGTH	
TOTAL STEM LENGTH	Up to 51in
STEM QTY	6
SLOPED CEILING ADAPTABLE?	Yes
GENERAL LISTING	ETL Listed
INCLUDES	



LAMPING SPECIFICATIONS

	LED LAMP	INTEGRATED LED	NON LED	NO LAMP
DELIVERED LUMENS	777			
WATTS	2			
MAX WATTAGE PER BULB	5W			5W
INPUT VOLTAGE	120V			120V
DIMMING TYPE*	ELV, TRIAC			ELV, TRIAC
CCT	2700K			
CRI	90 CRI			
LED LIFETIME				
L70				
AVERAGE BULB HOURS	25000			
FIELD SERVICEABLE LED				
LAMP BASE	E12 Candelabra Base			E12 Candelabra Base
LAMP SHAPE	T6			T6
LAMP INCLUDED?	Y			N
WARRANTY**	1 Year			1 Year

* Dimming information available at www.techlighting.com/Downloads#dimming
 ** Visit techlighting.com for specific warranty limitations and details.

T20 / T24 INFORMATION

	Integrated LED	Replacement LED Lamp	No Lamp *
This product can be used to comply with California Building Energy Efficiency Standards 2016 Title 24 Part 6.			
This product can be used to comply with California Appliance Efficiency Standards 2016 Title 20 and may be shipped to and sold in California.			

* If a light fixture or component does not include a lamp or light source, it is the responsibility of the customer to select a lamp that meets the T24 and T20 requirements.

