

# KRYPTON PENDANT

## PRODUCT FEATURES

- Crystalline based pendant provides glare-free light
- Features eye alluring well defined bold lines
- Available in two on-trend finishes, beautiful Aged Brass and Satin Nickel finish
- Fully dimmable integrated LED light source
- Ideal for kitchen island task lighting, dining room lighting and bedroom lighting
- 5 year warranty with LED lamping option, visit [techlighting.com](http://techlighting.com) for more warranty details



## LAMPING

LED includes (1) 9 watt 395 delivered lumens Warm Color Dimming 90 CRI 3000K-2200K LED module. Dimmable with most LED compatible ELV and TRIAC dimmers. Includes 10 feet of field-cuttable bronze cable.

Aged Brass



## ORDERING INFORMATION

700	SYSTEM	KRY	FINISH	LAMP
	TD LINE-VOLTAGE PENDANTS/SUSPENSION	R	AGED BRASS	-LEDWD LED 90 CRI 3000K-2200K 120V
		S	SATIN NICKEL	-LEDWD LED 90 CRI 3000K-2200K 120V (T24)

700 \_\_\_\_\_ KRY \_\_\_\_\_

JOB NAME \_\_\_\_\_

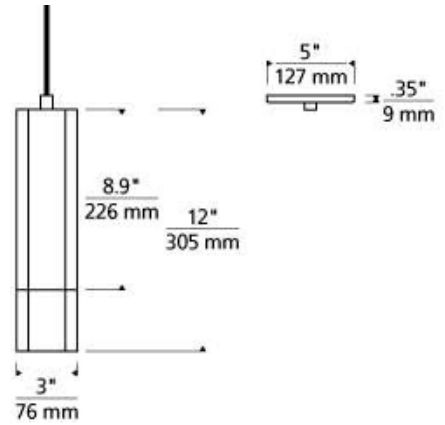
NOTES \_\_\_\_\_



# KRYPTON PENDANT

## SPECIFICATIONS

HARDWARE MATERIAL	Metal
SHADE MATERIAL	Acrylic
NET WEIGHT	2 lbs
HEIGHT	12in
WIDTH	2.85in
LENGTH	3in
UP LIGHT / DOWN LIGHT / BOTH?	
WET LISTED	
DAMP LISTED	Yes
DRY LISTED	
MIN. HANGING HEIGHT	
MAX HANGING HEIGHT	
TOTAL CORD LENGTH	120in
TOTAL STEM LENGTH	
STEM QTY	
SLOPED CEILING ADAPTABLE?	Yes
GENERAL LISTING	ETL Listed
INCLUDES	



## LAMPING SPECIFICATIONS

	LED LAMP	INTEGRATED LED	NON LED	NO LAMP
DELIVERED LUMENS		395		
WATTS		9		
MAX WATTAGE PER BULB		9W		
INPUT VOLTAGE		120V		
DIMMING TYPE*		ELV		
CCT		3000K-2200K		
CRI		90 CRI		
LED LIFETIME				
L70				
AVERAGE BULB HOURS		35000		
FIELD SERVICEABLE LED				
LAMP BASE		Integrated LED		
LAMP SHAPE		Integrated LED		
LAMP INCLUDED?		Y		
WARRANTY**		5 Years		

\*Dimming information available at [www.techlighting.com/Downloads#dimming](http://www.techlighting.com/Downloads#dimming)

\*\* Visit [techlighting.com](http://techlighting.com) for specific warranty limitations and details.

## T20 / T24 INFORMATION

	Integrated LED	Replacement LED Lamp	No Lamp *
This product can be used to comply with California Building Energy Efficiency Standards 2016 <b>Title 24</b> Part 6.			
This product can be used to comply with California Appliance Efficiency Standards 2016 <b>Title 20</b> and may be shipped to and sold in California.			

\* If a light fixture or component does not include a lamp or light source, it is the responsibility of the customer to select a lamp that meets the T24 and T20 requirements.

