

PRODUCT FEATURES

- Artfully shaped lines formed into an artistic cage pendant
- Ample amounts of light spill through the caged pendant design
- Complementary Diamant Grande fixture also available by Tech Lighting
- Moderately sized for a wide range of installation applications
- Ideal for kitchen island task lighting, dining room lighting and bedroom lighting
- 1 year warranty with no lamping option. 5 year warranty with LED lamping option, visit 'About Us' at techlighting.com for more warranty details



Matte Black

LAMPING

Includes 10' of field-cutttable cable. Available with or without lamp. E26 medium base socket 60w max. LED version includes (1) 12 watt 950 delivered lumens 80CRI 3000K LED G40. Dimmable with a low-voltage electronic dimmer. 120v.



Matte Black

Satin Gold

Matte Black

Satin Gold

ORDERING INFORMATION

700	SYSTEM	DMTG	FINISH	LAMP
	TD LINE-VOLTAGE PENDANTS/SUSPENSION		B MATTE BLACK G SATIN GOLD	NO LAMP -LED830 G40 LED 80 CRI 3000L 120V

700 _____ DMTG _____

JOB NAME _____

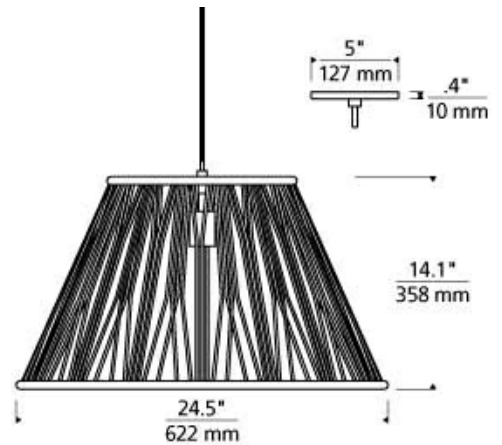
NOTES _____



DIAMANT GRANDE

SPECIFICATIONS

HARDWARE MATERIAL	Metal
SHADE MATERIAL	Steel
NET WEIGHT	8.5 lbs
HEIGHT	14.15in
WIDTH	24.5in
LENGTH	24.5in
UP LIGHT / DOWN LIGHT / BOTH?	
WET LISTED	
DAMP LISTED	Yes
DRY LISTED	
MIN. HANGING HEIGHT	
MAX HANGING HEIGHT	
TOTAL CORD LENGTH	120in
TOTAL STEM LENGTH	
STEM QTY	
SLOPED CEILING ADAPTABLE?	Yes
GENERAL LISTING	ETL Listed
INCLUDES	



LAMPING SPECIFICATIONS

	LED LAMP	INTEGRATED LED	NON LED	NO LAMP
DELIVERED LUMENS	950			
WATTS	12			
MAX WATTAGE PER BULB	60W			60W
INPUT VOLTAGE	120V			120V
DIMMING TYPE*	ELV			ELV
CCT	3000K			
CRI	80 CRI			
LED LIFETIME				
L70				
AVERAGE BULB HOURS	25000			
FIELD SERVICEABLE LED				
LAMP BASE	E26 Medium Base			E26 Medium Base
LAMP SHAPE	G40			G40
LAMP INCLUDED?	Y			N
WARRANTY**	1 Year			1 Year

* Dimming information available at www.techlighting.com/Downloads#dimming

** Visit techlighting.com for specific warranty limitations and details.

T20 / T24 INFORMATION

	Integrated LED	Replacement LED Lamp	No Lamp *
This product can be used to comply with California Building Energy Efficiency Standards 2016 Title 24 Part 6.			
This product can be used to comply with California Appliance Efficiency Standards 2016 Title 20 and may be shipped to and sold in California.			

* If a light fixture or component does not include a lamp or light source, it is the responsibility of the customer to select a lamp that meets the T24 and T20 requirements.

