

# CANDORA 19 CHANDELIER

## PRODUCT FEATURES

- Strong geometric lines nicely balanced by an open, airy silhouette
- High performance, energy efficient integrated LED light source with warm color dimming from 3,000K-2,200K Color Temp and 90 CRI
- Fully dimmable with most ELV dimmers to create just the right atmosphere
- Aluminum construction for light, durable structure
- 12 ft. of covered cord included to adjust installation height. canopy finish matches fixture finish
- Protected by a 5-year warranty with integrated LED



Aged Brass

## LAMPING

LED includes (1) 9 watt 186.4 delivered lumens Warm Color Dimming 90 CRI 3000K-2200K LED module. Dimmable with most LED compatible ELV and TRIAC dimmers. Includes 12' of field-cuttable cable.



Black

Aged Brass

## ORDERING INFORMATION

700CNDR	LENGTH (A)	FINISH	LAMP
	19 19"	R AGED BRASS B MATTE BLACK	-LEDWD INTEGRATED LED 90 CRI 3000K-2200K 120V (T24)

700CNDR \_\_\_\_\_

JOB NAME \_\_\_\_\_

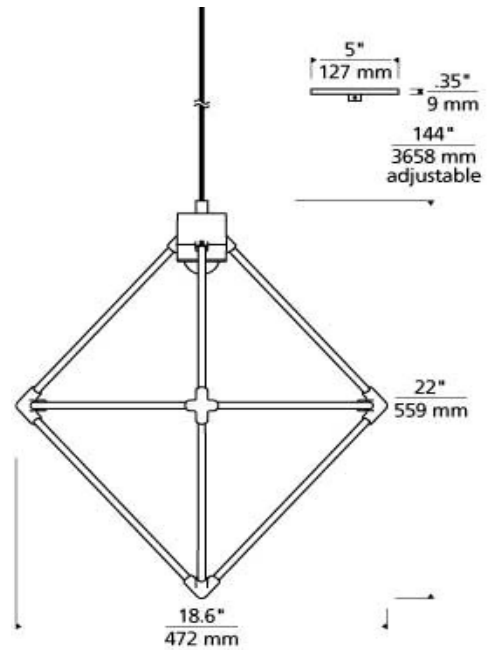
NOTES \_\_\_\_\_



# CANDORA 19 CHANDELIER

## SPECIFICATIONS

HARDWARE MATERIAL	Metal
SHADE MATERIAL	Aluminum
NET WEIGHT	3 lbs
HEIGHT	22in
WIDTH	18.6in
LENGTH	18.6in
UP LIGHT / DOWN LIGHT / BOTH?	
WET LISTED	
DAMP LISTED	Yes
DRY LISTED	
MIN. HANGING HEIGHT	28.5in
MAX HANGING HEIGHT	166.5in
TOTAL CORD LENGTH	144in
TOTAL STEM LENGTH	
STEM QTY	
SLOPED CEILING ADAPTABLE?	Yes
GENERAL LISTING	ETL Listed
INCLUDES	



## LAMPING SPECIFICATIONS

	LED LAMP	INTEGRATED LED	NON LED	NO LAMP
DELIVERED LUMENS		186.4		
WATTS		9		
MAX WATTAGE PER BULB		9W		
INPUT VOLTAGE		120V		
DIMMING TYPE*		ELV, TRIAC		
CCT		3000K-2200K		
CRI		90 CRI		
LED LIFETIME				
L70				
AVERAGE BULB HOURS		50000		
FIELD SERVICEABLE LED				
LAMP BASE		Integrated LED		
LAMP SHAPE		Integrated LED		
LAMP INCLUDED?		Y		
WARRANTY**		5 Years		

\*Dimming information available at [www.techlighting.com/Downloads#dimming](http://www.techlighting.com/Downloads#dimming)

\*\* Visit [techlighting.com](http://techlighting.com) for specific warranty limitations and details.

## T20 / T24 INFORMATION

	Integrated LED	Replacement LED Lamp	No Lamp *
This product can be used to comply with California Building Energy Efficiency Standards 2016 Title 24 Part 6.			
This product can be used to comply with California Appliance Efficiency Standards 2016 Title 20 and may be shipped to and sold in California.			

\* If a light fixture or component does not include a lamp or light source, it is the responsibility of the customer to select a lamp that meets the T24 and T20 requirements.

