

MINI ISLA PENDANT

PRODUCT FEATURES

- Irregular organic hand blown round-shaped glass
- Unique seeded mouth-blown glass technique adds character and visual appeal
- Available in five contemporary glass colors
- Isla Pendant also available from Tech Lighting
- Ideal for bedroom lighting, closet lighting and kitchen island task lighting
- 1-year warranty with no lamping option. 5 year warranty with LED lamping option, visit techlighting.com for more warranty details



LAMPING

Includes (1) 35 watt low-voltage GY6.35 base frosted Xenon bi-pin lamp and 6' of field-cutable suspension cable. For use with 24 volt transformer, add suffix -24 to item number.

Clear



Clear

Smoke

ORDERING INFORMATION

700	SYSTEM	ISLA	COLOR	FINISH	LAMP
	FJ FREEJACK		C CLEAR	Z ANTIQUE BRONZE	12 VOLT XENON (T20)
	MP MONOPOINT		K SMOKE	S SATIN NICKEL	-24 24 VOLT HALOGEN
	MO MONORAIL				
	MO2 TWO-CIRCUIT MONORAIL				

MP mount includes 4" Round Flush Canopy.

700 _____ ISLA _____

JOB NAME _____

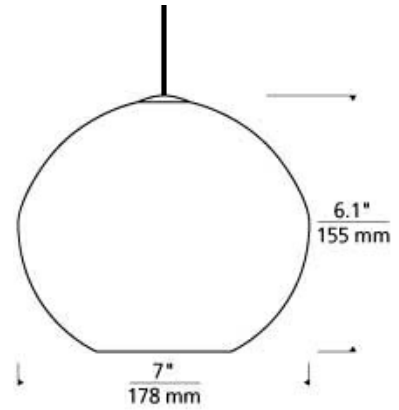
NOTES _____



MINI ISLA PENDANT

SPECIFICATIONS

HARDWARE MATERIAL	Metal
SHADE MATERIAL	
NET WEIGHT	1.5 lbs
HEIGHT	6.1in
WIDTH	7in
LENGTH	7in
UP LIGHT / DOWN LIGHT / BOTH?	
WET LISTED	
DAMP LISTED	
DRY LISTED	Yes
MIN. HANGING HEIGHT	
MAX HANGING HEIGHT	
SLOPED CEILING ADAPTABLE?	Yes
GENERAL LISTING	ETL Listed
INCLUDES	



LAMPING SPECIFICATIONS

	LED LAMP	INTEGRATED LED	NON LED	NO LAMP
DELIVERED LUMENS			750	
WATTS			35	
MAX WATTAGE PER BULB			35W	
INPUT VOLTAGE			12V	
DIMMING TYPE*			ELV	
CCT			2900K	
CRI			100 CRI	
LED LIFETIME				
L70				
AVERAGE BULB HOURS			10000	
FIELD SERVICEABLE LED				
LAMP BASE			GY 6.35	
LAMP SHAPE			GY 6.35	
LAMP INCLUDED?			Y	
WARRANTY**			1 Year	

*Dimming information available at www.techlighting.com/Downloads#dimming

** Visit techlighting.com for specific warranty limitations and details.

T20 / T24 INFORMATION

	Integrated LED	Replacement LED Lamp	No Lamp *
This product can be used to comply with California Building Energy Efficiency Standards 2016 Title 24 Part 6.			
This product can be used to comply with California Appliance Efficiency Standards 2016 Title 20 and may be shipped to and sold in California.			

* If a light fixture or component does not include a lamp or light source, it is the responsibility of the customer to select a lamp that meets the T24 and T20 requirements.

