

## PRODUCT FEATURES

- Sleek metal band and matching die cast end caps embrace a rounded acrylic shade
- Offered in three finishes. Antique Bronze, Chrome and Satin Nickel
- Dimmable with a low-voltage electronic dimmer
- Mounts vertically or horizontally. Additional sizes available
- An elegant design great for any vanity or bathroom.
- Protected by a 5-year warranty with integrated LED



## LAMPING

LED includes 24 watt 1300 lumen 90 CRI 3000K LED module. Dimmable with a low-voltage electronic dimmer. Mounts vertically or horizontally. ADA compliant.

Satin Nickel



Antique Bronze

Chrome

Satin Nickel

## ORDERING INFORMATION

| 700BCLYK | LENGTH (A) | FINISH         | LAMP   |
|----------|------------|----------------|--|
|          | 24 24"     | Z BRONZE       | -LED930 INTEGRATED LED 90 CRI 3000K 120V     |
|          |            | C CHROME       | -LED930-277 INTEGRATED LED 90 CRI 3000K 277V |
|          |            | S SATIN NICKEL |  |

700BCLYK \_\_\_\_\_

JOB NAME \_\_\_\_\_

NOTES \_\_\_\_\_



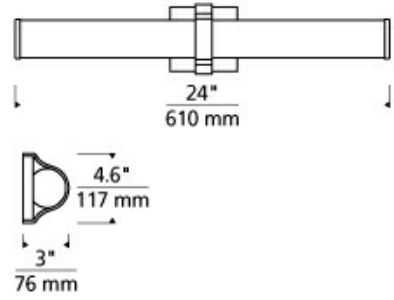
# LYNK 24 BATH



## SPECIFICATIONS

### HARDWARE MATERIAL

|                           |            |
|---------------------------|------------|
| SHADE MATERIAL            | Acrylic    |
| NET WEIGHT                | 3 lbs      |
| HEIGHT                    | 4.6in      |
| WIDTH                     | 3in        |
| LENGTH                    | 24in       |
| WET LISTED                |            |
| DAMP LISTED               | Yes        |
| DRY LISTED                |            |
| SLOPED CEILING ADAPTABLE? | No         |
| GENERAL LISTING           | ETL Listed |
| INCLUDES                  |            |



## LAMPING SPECIFICATIONS

|                       | LED LAMP | INTEGRATED LED | NON LED | NO LAMP |
|-----------------------|----------|----------------|---------|---------|
| DELIVERED LUMENS      |          | 1300           |         |         |
| WATTS                 |          | 24             |         |         |
| MAX WATTAGE PER BULB  |          | 24W            |         |         |
| INPUT VOLTAGE         |          | 120V<br>277V   |         |         |
| DIMMING TYPE*         |          | ELV            |         |         |
| CCT                   |          | 3000K          |         |         |
| CRI                   |          | 90 CRI         |         |         |
| LED LIFETIME          |          |                |         |         |
| L70                   |          |                |         |         |
| AVERAGE BULB HOURS    |          | 35000          |         |         |
| FIELD SERVICEABLE LED |          |                |         |         |
| LAMP BASE             |          | Integrated LED |         |         |
| LAMP SHAPE            |          | Integrated LED |         |         |
| LAMP INCLUDED?        |          | Y              |         |         |
| WARRANTY**            |          | 5 Years        |         |         |

\* Dimming information available at [www.techlighting.com/Downloads#dimming](http://www.techlighting.com/Downloads#dimming)

\*\* Visit [techlighting.com](http://techlighting.com) for specific warranty limitations and details.

## T20 / T24 INFORMATION

|  | Integrated LED | Replacement LED Lamp | No Lamp * |
|--|----------------|----------------------|-----------|
| This product can be used to comply with California Building Energy Efficiency Standards 2016 <b>Title 24</b> Part 6.                                 |                |                      |           |
| This product can be used to comply with California Appliance Efficiency Standards 2016 <b>Title 20</b> and may be shipped to and sold in California. |                |                      |           |

\* If a light fixture or component does not include a lamp or light source, it is the responsibility of the customer to select a lamp that meets the T24 and T20 requirements.

