

# TOGAN PENDANT

## PRODUCT FEATURES

- This beautifully spun metal shade makes the Togan Pendant an elegant design for any space
- Finish options include fully painted or partially painted
- LED dimmable with a low-voltage electronic dimmer
- Includes six of field-cuttable cloth cord
- A great fixture for your kitchen, living room or commercial space
- Protected by a 1-year warranty

## LAMPING

No lamp rated for (1) 75 watt max. E26 medium base lamp (Lamp Not Included). LED includes (1) E26 medium base 10 watt 800 lumens 90 CRI 2700K LED A19 lamp. Dimmable with most LED compatible ELV and TRIAC dimmers. Includes six of field-cuttable cloth cord.



White/Aluminum



White/Aluminum

## ORDERING INFORMATION

700	SYSTEM	TOG	COLOR	LAMP
	TD LINE-VOLTAGE PENDANTS/SUSPENSION		WA WHITE/ALUMINUM	NO LAMP -LED927 A19 LED 90 CRI 2700K 120V (T20/T24)

700 \_\_\_\_\_ TOG \_\_\_\_\_

JOB NAME \_\_\_\_\_

NOTES \_\_\_\_\_

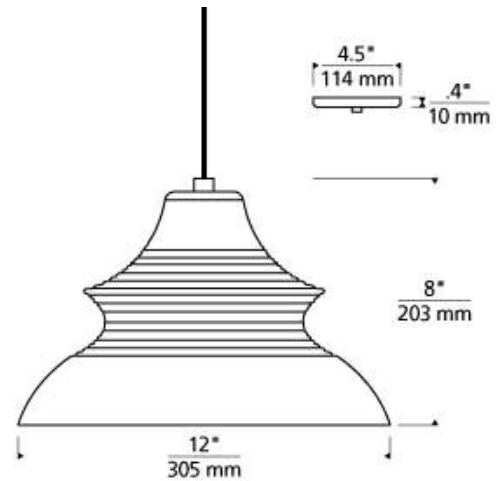
\_\_\_\_\_



# TOGAN PENDANT

## SPECIFICATIONS

HARDWARE MATERIAL	
SHADE MATERIAL	
NET WEIGHT	1.5 lbs
HEIGHT	8in
WIDTH	12in
LENGTH	12in
UP LIGHT / DOWN LIGHT / BOTH?	
WET LISTED	
DAMP LISTED	Yes
DRY LISTED	
MIN. HANGING HEIGHT	14.5in
MAX HANGING HEIGHT	80.5in
TOTAL CORD LENGTH	72in
TOTAL STEM LENGTH	
STEM QTY	
SLOPED CEILING ADAPTABLE?	Yes
GENERAL LISTING	ETL Listed
INCLUDES	



## LAMPING SPECIFICATIONS

	LED LAMP	INTEGRATED LED	NON LED	NO LAMP
DELIVERED LUMENS	800			
WATTS	10			
MAX WATTAGE PER BULB	75W			75W
INPUT VOLTAGE	120V			120V
DIMMING TYPE*	ELV, TRIAC			ELV, TRIAC
CCT	2700K			
CRI	90 CRI			
LED LIFETIME				
L70				
AVERAGE BULB HOURS	25000			
FIELD SERVICEABLE LED				
LAMP BASE	E26 Medium Base			E26 Medium Base
LAMP SHAPE	A19			A19
LAMP INCLUDED?	Y			N
WARRANTY**	1 Year			1 Year

\*Dimming information available at [www.techlighting.com/Downloads#dimming](http://www.techlighting.com/Downloads#dimming)

\*\* Visit [techlighting.com](http://techlighting.com) for specific warranty limitations and details.

## T20 / T24 INFORMATION

	Integrated LED	Replacement LED Lamp	No Lamp *
This product can be used to comply with California Building Energy Efficiency Standards 2016 Title 24 Part 6.			
This product can be used to comply with California Appliance Efficiency Standards 2016 Title 20 and may be shipped to and sold in California.			

\* If a light fixture or component does not include a lamp or light source, it is the responsibility of the customer to select a lamp that meets the T24 and T20 requirements.

