

# SIGNAL PENDANT

## PRODUCT FEATURES

- Inspired by 1940s vintage automobiles through hand-painted rubberized finishes
- Unique finish-combinations create a collection of eye-capturing light fixture
- LED version dimmable with an LED compatible dimmer
- A great design element in your office, kitchen and common areas of commercial space
- Includes 12 feet of field-cuttable black/white cloth cord
- Protected by a 1-year warranty



Rubberized Gray/Platinum

## LAMPING

Includes 6' of field-cuttable black/white cloth cord. No lamp rated for (1) 75 watt max. E26 medium base lamp (Lamp Not Included). LED includes (1) E26 medium base 10 watt 90 CRI 2700K LED A19 lamp. Dimmable with most LED compatible ELV and TRIAC dimmers.



To view all available finish options, please visit [techlighting.com](http://techlighting.com)

## ORDERING INFORMATION

700	SYSTEM	SIG	COLOR	LAMP
	TD LINE-VOLTAGE PENDANTS/SUSPENSION	YU	RUBBERIZED GRAY/BLUE	NO LAMP
		YP	RUBBERIZED GRAY/COPPER	-LED927 A19 LED 90 CRI 2700K 120V (T20/T24)
		YG	RUBBERIZED GRAY/GOLD	
		YL	RUBBERIZED GRAY/PLATINUM	
		WU	RUBBERIZED WHITE/BLUE	
		WP	RUBBERIZED WHITE/COPPER	
		WG	RUBBERIZED WHITE/GOLD	
		WL	RUBBERIZED WHITE/PLATINUM	

700 \_\_\_\_\_ SIG \_\_\_\_\_

JOB NAME \_\_\_\_\_

NOTES \_\_\_\_\_

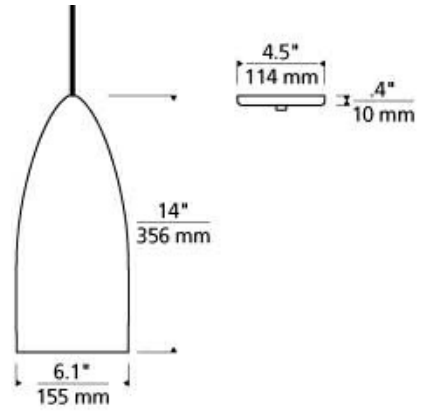
\_\_\_\_\_



# SIGNAL PENDANT

## SPECIFICATIONS

HARDWARE MATERIAL	Metal
SHADE MATERIAL	Metal
NET WEIGHT	1.5 lbs
HEIGHT	14in
WIDTH	6.1in
LENGTH	6.1in
UP LIGHT / DOWN LIGHT / BOTH?	
WET LISTED	
DAMP LISTED	Yes
DRY LISTED	
MIN. HANGING HEIGHT	20.5in
MAX HANGING HEIGHT	86.5in
TOTAL CORD LENGTH	72in
TOTAL STEM LENGTH	
STEM QTY	
SLOPED CEILING ADAPTABLE?	Yes
GENERAL LISTING	ETL Listed
INCLUDES	



## LAMPING SPECIFICATIONS

	LED LAMP	INTEGRATED LED	NON LED	NO LAMP
DELIVERED LUMENS	800			
WATTS	10			
MAX WATTAGE PER BULB	75W			75W
INPUT VOLTAGE	120V			120V
DIMMING TYPE*	ELV, TRIAC			ELV, TRIAC
CCT	2700K			
CRI	90 CRI			
LED LIFETIME				
L70				
AVERAGE BULB HOURS	25000			
FIELD SERVICEABLE LED				
LAMP BASE	E26 Medium Base			E26 Medium Base
LAMP SHAPE	T6			T6
LAMP INCLUDED?	Y			N
WARRANTY**	1 Year			1 Year

\* Dimming information available at [www.techlighting.com/Downloads#dimming](http://www.techlighting.com/Downloads#dimming)

\*\* Visit [techlighting.com](http://techlighting.com) for specific warranty limitations and details.

## T20 / T24 INFORMATION

	Integrated LED	Replacement LED Lamp	No Lamp *
This product can be used to comply with California Building Energy Efficiency Standards 2016 Title 24 Part 6.		Yes	N/A
This product can be used to comply with California Appliance Efficiency Standards 2016 Title 20 and may be shipped to and sold in California.		Yes	N/A

\* If a light fixture or component does not include a lamp or light source, it is the responsibility of the customer to select a lamp that meets the T24 and T20 requirements.

