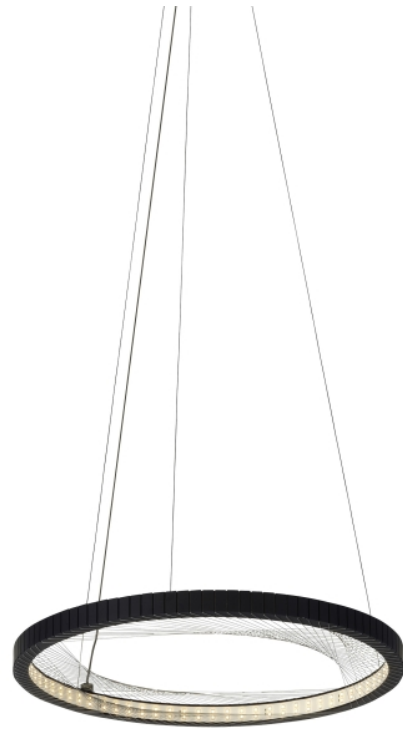


# INTERLACE 18 SUSPENSION

## PRODUCT FEATURES

- Hundreds of hand-strung strands of stainless steel cable create an intricate, interwoven pattern
- Integrated LEDs shine inward from the 18" diameter ring, the reflecting off of interwoven cables
- Dimmable with a low-voltage electronic dimmer
- Includes 12 feet of field-cuttable aircraft cable to match finish selection
- At 18" diameter, the Interlace is perfect for your foyer, dining room and living room
- Protected by a 5-year warranty with integrated LED



## LAMPING

Includes 28 watt 1300 delivered lumens, 2700K, 80 CRI LED module. Dimmable with most LED compatible ELV and TRIAC dimmers. 277V compatible with 0-10V dimmers. Includes 12 feet of field-cuttable aircraft cable to match finish selection.

Black



Black

Satin Nickel

## ORDERING INFORMATION

700INT18	FINISH	LAMP
	B BLACK	-LED827 INTEGRATED LED 80 CRI 2700K 120V
	S SATIN NICKEL	-LED827-277 INTEGRATED LED 80 CRI 2700K 277V

700INT18 \_\_\_\_\_

JOB NAME \_\_\_\_\_

NOTES \_\_\_\_\_

\_\_\_\_\_

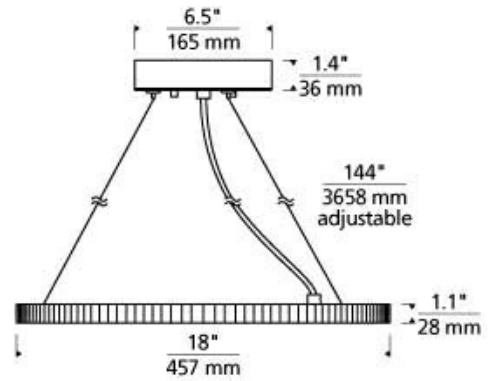


# INTERLACE 18 SUSPENSION



## SPECIFICATIONS

HARDWARE MATERIAL	
SHADE MATERIAL	
NET WEIGHT	4 lbs
HEIGHT	1.1in
WIDTH	18in
LENGTH	18in
UP LIGHT / DOWN LIGHT / BOTH?	
WET LISTED	
DAMP LISTED	Yes
DRY LISTED	
MIN. HANGING HEIGHT	14.5in
MAX HANGING HEIGHT	146.2in
TOTAL CORD LENGTH	144in
TOTAL STEM LENGTH	
STEM QTY	
SLOPED CEILING ADAPTABLE?	Yes
GENERAL LISTING	ETL Listed
INCLUDES	



## LAMPING SPECIFICATIONS

	LED LAMP	INTEGRATED LED	NON LED	NO LAMP
DELIVERED LUMENS		1300		
WATTS		28		
MAX WATTAGE PER BULB		28W		
INPUT VOLTAGE		120V 277V		
DIMMING TYPE*		ELV, TRIAC 0-10V		
CCT		2700K		
CRI		80 CRI		
LED LIFETIME				
L70				
AVERAGE BULB HOURS		50000		
FIELD SERVICEABLE LED				
LAMP BASE		Integrated LED		
LAMP SHAPE		Integrated LED		
LAMP INCLUDED?		Y		
WARRANTY**		5 Years		

\* Dimming information available at [www.techlighting.com/Downloads#dimming](http://www.techlighting.com/Downloads#dimming)

\*\* Visit [techlighting.com](http://techlighting.com) for specific warranty limitations and details.

## T20 / T24 INFORMATION

	Integrated LED	Replacement LED Lamp	No Lamp *
This product can be used to comply with California Building Energy Efficiency Standards 2016 Title 24 Part 6.			
This product can be used to comply with California Appliance Efficiency Standards 2016 Title 20 and may be shipped to and sold in California.			

\* If a light fixture or component does not include a lamp or light source, it is the responsibility of the customer to select a lamp that meets the T24 and T20 requirements.

