

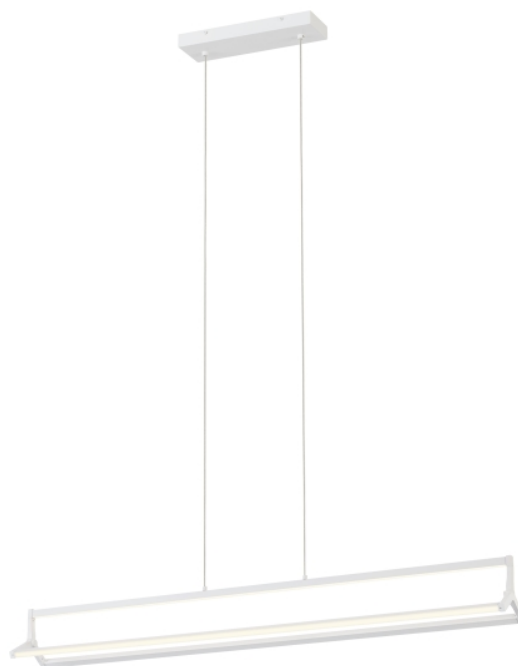
# TIMBRE LINEAR SUSPENSION

## PRODUCT FEATURES

- Deconstructed modern take on a traditional linear suspension
- Sleek minimized structure emphasizes well diffused beautiful lines of pure light
- Fully dimmable integrated LED lamp
- Complementary Timbre pendant and wall sconce fixtures also available by Tech Lighting
- Ideal for commercial and residential lighting applications
- 5 year warranty with no lamping option. 5 year warranty with LED lamping option, visit [techlighting.com](http://techlighting.com) for more warranty details

## LAMPING

Includes 90 watt, 6692.4 delivered lumens, 3000K, 90 CRI LED linear modules. Dimmable with low-voltage electronic dimmer. Ships with twelve feet of field cuttable cable.



Matte White



Matte White

Matte Black

## ORDERING INFORMATION

700LSTMB	FINISH	LAMP
B	MATTE BLACK	-LED930 LED 90 CRI 3000K 120V
W	MATTE WHITE	-LED930-277 LED 90 CRI 3000K 277V

700LSTMB \_\_\_\_\_

JOB NAME \_\_\_\_\_

NOTES \_\_\_\_\_

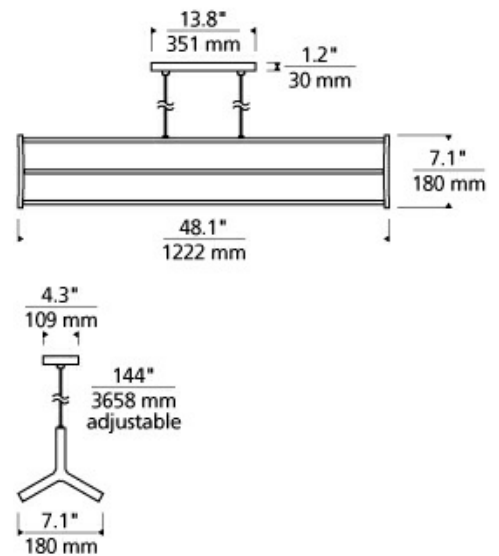
\_\_\_\_\_



# TIMBRE LINEAR SUSPENSION

## SPECIFICATIONS

HARDWARE MATERIAL	Metal
SHADE MATERIAL	Acrylic
NET WEIGHT	7 lbs
HEIGHT	7.1in
WIDTH	7.1in
LENGTH	48.1in
UP LIGHT / DOWN LIGHT / BOTH?	
WET LISTED	
DAMP LISTED	Yes
DRY LISTED	
MIN. HANGING HEIGHT	19.1in
MAX HANGING HEIGHT	151in
TOTAL CORD LENGTH	
TOTAL STEM LENGTH	
STEM QTY	
SLOPED CEILING ADAPTABLE?	
GENERAL LISTING	
INCLUDES	



## LAMPING SPECIFICATIONS

	LED LAMP	INTEGRATED LED	NON LED	NO LAMP
DELIVERED LUMENS		6692.4		
WATTS		30		
MAX WATTAGE PER BULB		90W		
INPUT VOLTAGE		120V 277V		
DIMMING TYPE*		ELV		
CCT		3000K		
CRI		90 CRI		
LED LIFETIME				
L70				
AVERAGE BULB HOURS		30000		
FIELD SERVICEABLE LED				
LAMP BASE		Integrated LED		
LAMP SHAPE		Integrated LED		
LAMP INCLUDED?		Y		
WARRANTY**		5 Years		

\* Dimming information available at [www.techlighting.com/Downloads#dimming](http://www.techlighting.com/Downloads#dimming)

\*\* Visit [techlighting.com](http://techlighting.com) for specific warranty limitations and details.

## T20 / T24 INFORMATION

	Integrated LED	Replacement LED Lamp	No Lamp *
This product can be used to comply with California Building Energy Efficiency Standards 2016 <b>Title 24</b> Part 6.	No		
This product can be used to comply with California Appliance Efficiency Standards 2016 <b>Title 20</b> and may be shipped to and sold in California.	Yes		

\* If a light fixture or component does not include a lamp or light source, it is the responsibility of the customer to select a lamp that meets the T24 and T20 requirements.

