

ROMBO GRANDE PENDANT

PRODUCT FEATURES

- Hand-crafted eye alluring silver and gold leaf gilding
- Soft light emitting inner glass sugar diffuser
- Compatible with a medium base A19 LED lamp
- Fully dimmable with most electronic dimmers to create the desired ambiance in your special space
- Ideal for kitchen island task lighting, hallway lighting and dining room lighting
- Protected by a 1-year warranty



LAMPING

No Lamp rated for (1) 75 watt max. E26 medium base lamp (Not Included). LED version includes 120 volt 10 watt, 320 delivered lumen, 3000K, medium base LED A19 lamp. Dimmable with most LED compatible ELV and TRIAC dimmers. Ships with 6 feet field-cutttable satin nickel cord.



ORDERING INFORMATION

700	SYSTEM	RMBGP	COLOR	FINISH	LAMP
	TD LINE-VOLTAGE PENDANTS/SUSPENSION		C CLEAR K TRANSPARENT SMOKE	S SATIN NICKEL	NO LAMP -LED930 A19 LED 90 CRI 2700K 120V (T20/T24)

700 _____ RMBGP _____

JOB NAME _____

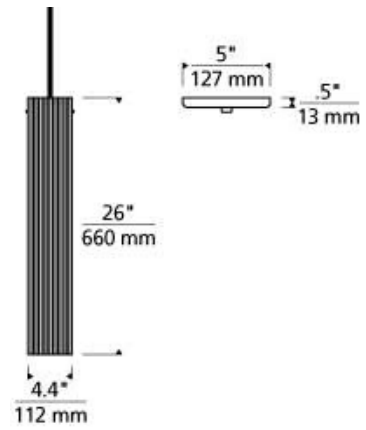
NOTES _____



ROMBO GRANDE PENDANT

SPECIFICATIONS

HARDWARE MATERIAL	Metal
SHADE MATERIAL	Glass
NET WEIGHT	6.5 lbs
HEIGHT	26in
WIDTH	4.4in
LENGTH	4.4in
UP LIGHT / DOWN LIGHT / BOTH?	
WET LISTED	
DAMP LISTED	Yes
DRY LISTED	
MIN. HANGING HEIGHT	32.5in
MAX HANGING HEIGHT	98.5in
TOTAL CORD LENGTH	72in
TOTAL STEM LENGTH	
STEM QTY	
SLOPED CEILING ADAPTABLE?	Yes
GENERAL LISTING	ETL Listed
INCLUDES	



LAMPING SPECIFICATIONS

	LED LAMP	INTEGRATED LED	NON LED	NO LAMP
DELIVERED LUMENS	320			
WATTS	10			
MAX WATTAGE PER BULB	75W			75W
INPUT VOLTAGE	120V			120V
DIMMING TYPE*	ELV, TRIAC			ELV, TRIAC
CCT	3000K			
CRI	90 CRI			
LED LIFETIME				
L70				
AVERAGE BULB HOURS	25000			
FIELD SERVICEABLE LED				
LAMP BASE	E26 Medium Base			E26 Medium Base
LAMP SHAPE	A19			A19
LAMP INCLUDED?	Y			N
WARRANTY**	1 Year			1 Year

* Dimming information available at www.techlighting.com/Downloads#dimming

** Visit techlighting.com for specific warranty limitations and details.

T20 / T24 INFORMATION

	Integrated LED	Replacement LED Lamp	No Lamp *
This product can be used to comply with California Building Energy Efficiency Standards 2016 Title 24 Part 6.		Yes	Yes
This product can be used to comply with California Appliance Efficiency Standards 2016 Title 20 and may be shipped to and sold in California.		Yes	Yes

* If a light fixture or component does not include a lamp or light source, it is the responsibility of the customer to select a lamp that meets the T24 and T20 requirements.

