

SPAN LINEAR SUSPENSION

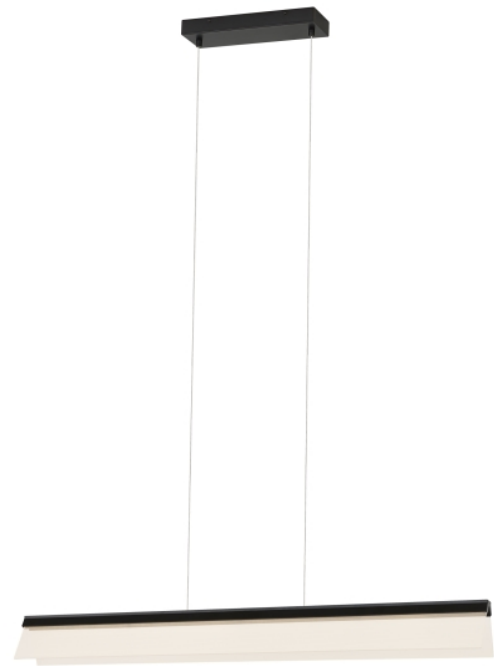


PRODUCT FEATURES

- Ultra-thin, ultra-modern architectural style
- Edge-lit light guide technology
- Fully dimmable integrated LED lamp
- Available in two sleek finish options, Matte Black or Satin Nickel
- Ideal for conference rooms, office spaces and other commercial spaces
- 5 year warranty with no lamping option. 5 year warranty with LED lamping option, visit techlighting.com for more warranty details

LAMPING

Includes 76 watt, 3170 delivered lumens, 3000K, 90 CRI LED linear modules. Dimmable with low-voltage electronic dimmer. Ships with twelve feet field cuttable cable.



Matte Black



Matte Black

Satin Nickel

ORDERING INFORMATION

700LSSPAN48 FINISH

- B BLACK
- S SATIN NICKEL

LAMP

- LED930 LED 90 CRI 3000K 120V
- LED930-277 LED 90 CRI 3000K 277V

700LSSPAN48 _____

JOB NAME _____

NOTES _____

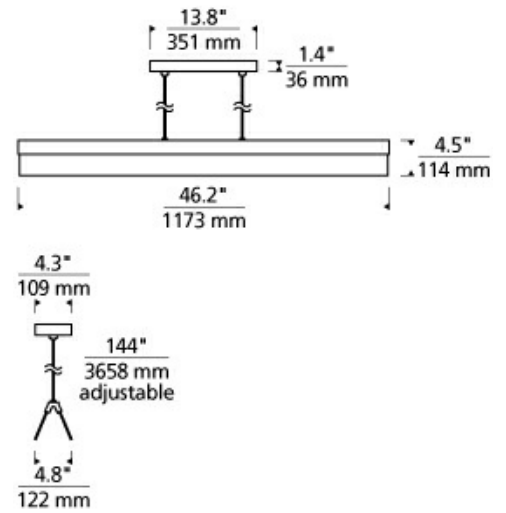


SPAN LINEAR SUSPENSION



SPECIFICATIONS

HARDWARE MATERIAL	Metal
SHADE MATERIAL	Acrylic
NET WEIGHT	9.0 lbs
HEIGHT	4.5in
WIDTH	4.8in
LENGTH	46.2in
UP LIGHT / DOWN LIGHT / BOTH?	
WET LISTED	
DAMP LISTED	Yes
DRY LISTED	
MIN. HANGING HEIGHT	16.5in
MAX HANGING HEIGHT	148in
TOTAL CORD LENGTH	144in
TOTAL STEM LENGTH	
STEM QTY	
SLOPED CEILING ADAPTABLE?	Yes
GENERAL LISTING	ETL Listed
INCLUDES	



LAMPING SPECIFICATIONS

	LED LAMP	INTEGRATED LED	NON LED	NO LAMP
DELIVERED LUMENS		3150		
WATTS		76		
MAX WATTAGE PER BULB		76W		
INPUT VOLTAGE		120V 277V		
DIMMING TYPE*		ELV		
CCT		3000K		
CRI		90 CRI		
LED LIFETIME				
L70				
AVERAGE BULB HOURS		30000		
FIELD SERVICEABLE LED				
LAMP BASE		Integrated LED		
LAMP SHAPE		Integrated LED		
LAMP INCLUDED?		Y		
WARRANTY**		5 Years		

* Dimming information available at www.techlighting.com/Downloads#dimming

** Visit techlighting.com for specific warranty limitations and details.

T20 / T24 INFORMATION

	Integrated LED	Replacement LED Lamp	No Lamp *
This product can be used to comply with California Building Energy Efficiency Standards 2016 Title 24 Part 6.			
This product can be used to comply with California Appliance Efficiency Standards 2016 Title 20 and may be shipped to and sold in California.			

* If a light fixture or component does not include a lamp or light source, it is the responsibility of the customer to select a lamp that meets the T24 and T20 requirements.

