

# HEX 36 PENDANT

## PRODUCT FEATURES

- Honeycomb shape creates a visual sense of organic depth
- Artfully designed pentagonal cube
- Fully dimmable integrated LED lamp
- Available in on-trend Matte White or Matte Black
- Ideal for kitchen island task lighting, dining rooms and family rooms
- 5 year warranty with no lamping option. 5 year warranty with LED lamping option, visit [techlighting.com](http://techlighting.com) for more warranty details



White / White



White / White

## LAMPING

Includes 25 watt, 751 delivered lumen, 3000K, 90 CRI LED module. Dimmable with most LED compatible ELV and TRIAC dimmers. 277V compatible with 0-10V dimmers. Includes 12 feet of field-cutttable cloth cord to match finish selection.

## ORDERING INFORMATION

700HEX	SHAPE OR SIZE	COLOR	LAMP
	36 36" DIAMETER	<b>BB</b> BLACK/BLACK <b>WW</b> WHITE / WHITE	<b>-LED930</b> LED 90 CRI 3000K 120V <b>-LED930-277</b> LED 90 CRI 3000K 277V

700HEX \_\_\_\_\_

JOB NAME \_\_\_\_\_

NOTES \_\_\_\_\_

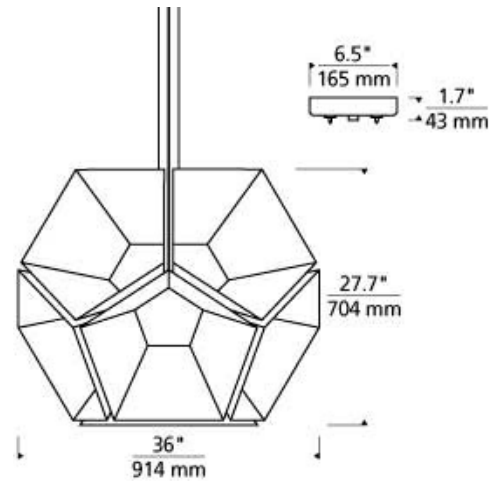
\_\_\_\_\_



# HEX 36 PENDANT

## SPECIFICATIONS

HARDWARE MATERIAL	Metal
SHADE MATERIAL	Metal
NET WEIGHT	43 lbs
HEIGHT	27.7in
WIDTH	36in
LENGTH	36in
UP LIGHT / DOWN LIGHT / BOTH?	
WET LISTED	
DAMP LISTED	Yes
DRY LISTED	
MIN. HANGING HEIGHT	39.7in
MAX HANGING HEIGHT	171.7in
TOTAL CORD LENGTH	144in
TOTAL STEM LENGTH	
STEM QTY	
SLOPED CEILING ADAPTABLE?	Yes
GENERAL LISTING	ETL Listed
INCLUDES	



## LAMPING SPECIFICATIONS

	LED LAMP	INTEGRATED LED	NON LED	NO LAMP
DELIVERED LUMENS		751		
WATTS		25		
MAX WATTAGE PER BULB		25W		
INPUT VOLTAGE		120V 277V		
DIMMING TYPE*		Black/Black, White / White : ELV, TRIAC Black/Black, White / White : 0-10V		
CCT		3000K		
CRI		90 CRI		
LED LIFETIME				
L70				
AVERAGE BULB HOURS		50000		
FIELD SERVICEABLE LED				
LAMP BASE		Integrated LED		
LAMP SHAPE		Integrated LED		
LAMP INCLUDED?		Y		
WARRANTY**		5 Years		

\* Dimming information available at [www.techlighting.com/Downloads#dimming](http://www.techlighting.com/Downloads#dimming)

\*\* Visit [techlighting.com](http://techlighting.com) for specific warranty limitations and details.

## T20 / T24 INFORMATION

	Integrated LED	Replacement LED Lamp	No Lamp *
This product can be used to comply with California Building Energy Efficiency Standards 2016 Title 24 Part 6.			
This product can be used to comply with California Appliance Efficiency Standards 2016 Title 20 and may be shipped to and sold in California.			

\* If a light fixture or component does not include a lamp or light source, it is the responsibility of the customer to select a lamp that meets the T24 and T20 requirements.

