

# PETRA 24 BATH



## PRODUCT FEATURES

- Modern cylindrical bath bar
- Features up and down light output for an ample amount of illumination
- Polished glass gives-off brilliant visual dimension
- Fully dimmable integrated LED lamp
- Available in two on-trend finishes Chrome and Satin Nickel
- 5 year warranty with LED lamping option, visit [techlighting.com](http://techlighting.com) for more warranty details



## LAMPING

Includes 24 watt, 2052 delivered lumen, 3000K LED module. Dimmable with low-voltage electronic dimmer.

Chrome



Chrome

Satin Nickel

## ORDERING INFORMATION

700BCPET	LENGTH (A)	FINISH	LAMP
	24 24"	C CHROME S SATIN NICKEL	-LED930 LED 90 CRI 3000K 120V -LED930-277 LED 90 CRI 3000K 277V

700BCPET \_\_\_\_\_

JOB NAME \_\_\_\_\_

NOTES \_\_\_\_\_  
\_\_\_\_\_  
\_\_\_\_\_

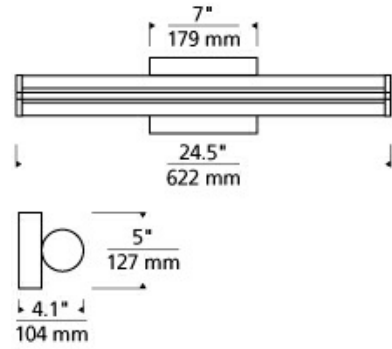


# PETRA 24 BATH



## SPECIFICATIONS

HARDWARE MATERIAL	Metal
SHADE MATERIAL	Acrylic
NET WEIGHT	4.5 lbs
HEIGHT	5in
WIDTH	4.1in
LENGTH	24.5in
WET LISTED	
DAMP LISTED	Yes
DRY LISTED	
SLOPED CEILING ADAPTABLE?	No
GENERAL LISTING	ETL Listed
INCLUDES	



## LAMPING SPECIFICATIONS

	LED LAMP	INTEGRATED LED	NON LED	NO LAMP
DELIVERED LUMENS		2052		
WATTS		24		
MAX WATTAGE PER BULB		24W		
INPUT VOLTAGE		120V 277V		
DIMMING TYPE*				
CCT		3000K		
CRI		90 CRI		
LED LIFETIME				
L70				
AVERAGE BULB HOURS		30000		
FIELD SERVICEABLE LED				
LAMP BASE		Integrated LED		
LAMP SHAPE		Integrated LED		
LAMP INCLUDED?		Y		
WARRANTY**		1 Year		

\* Dimming information available at [www.techlighting.com/Downloads#dimming](http://www.techlighting.com/Downloads#dimming)  
 \*\* Visit [techlighting.com](http://techlighting.com) for specific warranty limitations and details.

## T20 / T24 INFORMATION

	Integrated LED	Replacement LED Lamp	No Lamp *
This product can be used to comply with California Building Energy Efficiency Standards 2016 <b>Title 24</b> Part 6.			
This product can be used to comply with California Appliance Efficiency Standards 2016 <b>Title 20</b> and may be shipped to and sold in California.			

\* If a light fixture or component does not include a lamp or light source, it is the responsibility of the customer to select a lamp that meets the T24 and T20 requirements.

