

MATAN WALL

PRODUCT FEATURES

- High-quality glass undergoes a special treatment to resemble chrome-plated metal when off
- Carefully etched bands encircle the upper portion of the cylindrical glass shade for an organic touch
- Complementary Matan pendant lights and Matan ceiling light also available from Tech Lighting
- Fully dimmable LED lamping options to create the desired ambiance
- Ships with choice of LED lamp included saving you time and money
- Protected by a 1-year warranty, please visit www.techlighting.com for details



Metallic Chrome



Metallic Chrome

LAMPING

Rated for (1) 45w max, E12 candelabra based lamp (Not Included). LED includes (1) 2 watt, 155 delivered lumen, 2700K, E12 base LED vintage tubular lamp. Dimmable with LED compatible dimmer.

ORDERING INFORMATION

700WSMTN COLOR	FINISH	LAMP
MC METALLIC CHROME	S SATIN NICKEL	NO LAMP
		-LED927 LED 90 CRI 2700K 120V (T20/T24)

700WSMTN _____

JOB NAME _____

NOTES _____

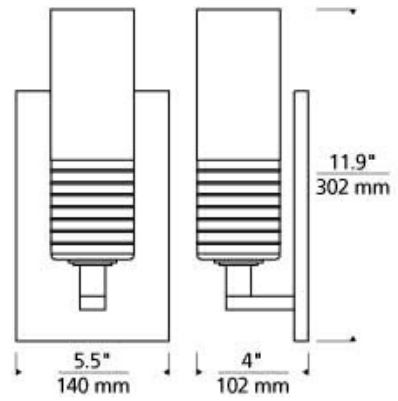


MATAN WALL



SPECIFICATIONS

HARDWARE MATERIAL	Glass
SHADE MATERIAL	Glass
NET WEIGHT	3 lbs
HEIGHT	11.9in
WIDTH	4in
LENGTH	5.5in
MIN. EXTENSION FROM WALL	4in
UP LIGHT / DOWN LIGHT / BOTH?	
WET LISTED	
DAMP LISTED	
DRY LISTED	
UP / DOWN	
HORIZONTAL / VERTICAL	
WALL / CEILING MOUNT	
SLOPED CEILING ADAPTABLE?	No
GENERAL LISTING	ETL Listed
ADA COMPLIANT	
INCLUDES	



LAMPING SPECIFICATIONS

	LED LAMP	INTEGRATED LED	NON LED	NO LAMP
DELIVERED LUMENS				
WATTS	2			
MAX WATTAGE PER BULB	45W			45W
INPUT VOLTAGE	120V			120V
DIMMING TYPE*	ELV			ELV
CCT	2700K			
CRI	90 CRI			
LED LIFETIME				
L70				
AVERAGE BULB HOURS	25000			
FIELD SERVICEABLE LED				
LAMP BASE	E12 Candelabra Base			E12 Candelabra Base
LAMP SHAPE	T6			
LAMP INCLUDED?	Y			N
WARRANTY**	1 Year			1 Year

* Dimming information available at www.techlighting.com/Downloads#dimming
 ** Visit techlighting.com for specific warranty limitations and details.

T20 / T24 INFORMATION

	Integrated LED	Replacement LED Lamp	No Lamp *
This product can be used to comply with California Building Energy Efficiency Standards 2016 Title 24 Part 6.			
This product can be used to comply with California Appliance Efficiency Standards 2016 Title 20 and may be shipped to and sold in California.			

* If a light fixture or component does not include a lamp or light source, it is the responsibility of the customer to select a lamp that meets the T24 and T20 requirements.

