

PRODUCT FEATURES

- Premium quality construction and light output with your choice of on-trend finishes
- Mounts horizontally or vertically for added versatility
- Three length options including 13", 25" and 36"
- Fully dimmable LED lamping options to create the desired ambiance
- High quality, long-lasting integrated LED lamping included to save you time and money
- Protected by a 5-year warranty, please visit www.techlighting.com for details



LAMPING

Includes 25 watt, 1334 delivered lumen, 2700K or 3000K LED module. Mounts horizontally or vertically. ADA compliant. Dimmable with low-voltage electronic dimmer.

Satin Nickel



Chrome

Satin Nickel

ORDERING INFORMATION

700BCSAGW LENGTH (A)	FINISH	LAMP
13 13"	C CHROME	-LED927 LED 90 CRI 2700K 120V
	S SATIN NICKEL	-LED927-277 LED 90 CRI 2700K 277V
		-LED930 LED 90 CRI 300K 120V
		-LED930-277 LED 90 CRI 300K 277V

700BCSAGW _____

JOB NAME _____

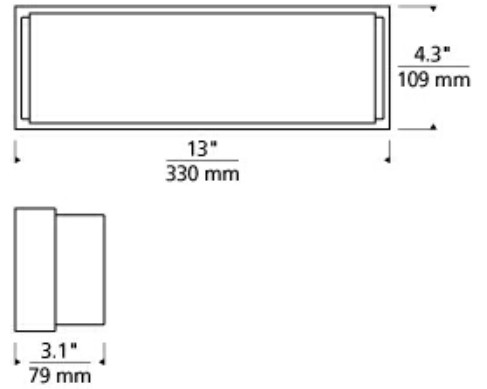
NOTES _____



SAGE 13 WALL/BATH

SPECIFICATIONS

HARDWARE MATERIAL	Metal
SHADE MATERIAL	Acrylic
NET WEIGHT	2 lbs
HEIGHT	4.3in
WIDTH	3in
LENGTH	13in
WET LISTED	
DAMP LISTED	
DRY LISTED	
SLOPED CEILING ADAPTABLE?	No
GENERAL LISTING	
INCLUDES	



LAMPING SPECIFICATIONS

	LED LAMP	INTEGRATED LED	NON LED	NO LAMP
DELIVERED LUMENS		1334		
WATTS		25		
MAX WATTAGE PER BULB		25W		
INPUT VOLTAGE		120V 277V		
DIMMING TYPE*		ELV		
CCT		2700K 3000K		
CRI		90 CRI		
LED LIFETIME				
L70				
AVERAGE BULB HOURS		25000		
FIELD SERVICEABLE LED				
LAMP BASE		Integrated LED		
LAMP SHAPE		Integrated LED		
LAMP INCLUDED?		Y		
WARRANTY**				

* Dimming information available at www.techlighting.com/Downloads#dimming

** Visit techlighting.com for specific warranty limitations and details.

T20 / T24 INFORMATION

	Integrated LED	Replacement LED Lamp	No Lamp *
This product can be used to comply with California Building Energy Efficiency Standards 2016 Title 24 Part 6.	Yes		
This product can be used to comply with California Appliance Efficiency Standards 2016 Title 20 and may be shipped to and sold in California.	Yes		

* If a light fixture or component does not include a lamp or light source, it is the responsibility of the customer to select a lamp that meets the T24 and T20 requirements.

