

## PRODUCT FEATURES

- Mixed materials and contrasting design elements combine for a warm contemporary wall sconce light
- Complementary Gambit chandelier lights also available from Tech Lighting
- Two sizes available, 1-lite and 3-lite, perfect for dining room lighting applications
- Fully dimmable LED lamping options to create the desired ambiance
- Ships with choice of LED lamps included saving you time and money
- Protected by a 1-year warranty, please visit [www.techlighting.com](http://www.techlighting.com) for details

## LAMPING

No Lamp rated for (1) 5 watt max. E12 candelabra base lamp. LED includes (1) 2 watt, 152.3 delivered lumen, 90 CRI 2700K, LED E12 candelabra base lamp. No lamp version mounts up only. LED mounts up or down.



Satin Nickel



Aged Brass

Satin Nickel

## ORDERING INFORMATION

| 700WSGMB SHAPE OR SIZE | COLOR   | FINISH                         | LAMP  |
|------------------------|---------|--------------------------------|---|
| S SINGLE               | C CLEAR | R AGED BRASS<br>S SATIN NICKEL | NO LAMP<br>-LED927 LED T6 90 CRI 2700K 120V (T20/T24) |

700WSGMB \_\_\_\_\_

JOB NAME \_\_\_\_\_

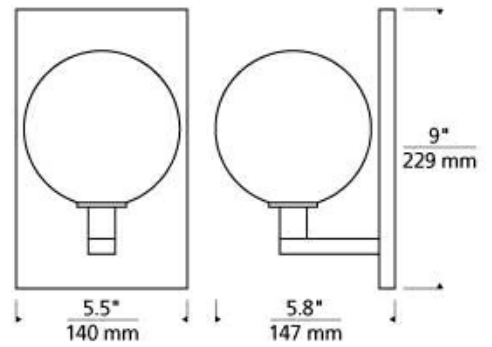
NOTES \_\_\_\_\_



# GAMBIT SINGLE WALL

## SPECIFICATIONS

|                               |            |
|-------------------------------|------------|
| HARDWARE MATERIAL             | Metal      |
| SHADE MATERIAL                | Glass      |
| NET WEIGHT                    | 4 lbs      |
| HEIGHT                        | 9in        |
| WIDTH                         | 5.8in      |
| LENGTH                        | 5.5in      |
| MIN. EXTENSION FROM WALL      | 5.8in      |
| UP LIGHT / DOWN LIGHT / BOTH? |            |
| WET LISTED                    |            |
| DAMP LISTED                   |            |
| DRY LISTED                    |            |
| UP / DOWN                     |            |
| HORIZONTAL / VERTICAL         |            |
| WALL / CEILING MOUNT          |            |
| GENERAL LISTING               | ETL Listed |
| ADA COMPLIANT                 |            |
| INCLUDES                      |            |



## LAMPING SPECIFICATIONS

|                       | LED LAMP            | INTEGRATED LED | NON LED | NO LAMP             |
|-----------------------|---------------------|----------------|---------|---------------------|
| DELIVERED LUMENS      | 152.3               |                |         |                     |
| WATTS                 | 2                   |                |         |                     |
| MAX WATTAGE PER BULB  | 5W                  |                |         | 5W                  |
| INPUT VOLTAGE         | 120V                |                |         | 120V                |
| DIMMING TYPE*         | ELV, TRIAC          |                |         | ELV, TRIAC          |
| CCT                   | 2700K               |                |         |                     |
| CRI                   | 90 CRI              |                |         |                     |
| LED LIFETIME          |                     |                |         |                     |
| L70                   |                     |                |         |                     |
| AVERAGE BULB HOURS    |                     |                |         |                     |
| FIELD SERVICEABLE LED |                     |                |         |                     |
| LAMP BASE             | E12 Candelabra Base |                |         | E12 Candelabra Base |
| LAMP SHAPE            | T6                  |                |         | T6                  |
| LAMP INCLUDED?        | Y                   |                |         | N                   |
| WARRANTY**            | 1 Year              |                |         | 1 Year              |

\* Dimming information available at [www.techlighting.com/Downloads#dimming](http://www.techlighting.com/Downloads#dimming)

\*\* Visit [techlighting.com](http://techlighting.com) for specific warranty limitations and details.

## T20 / T24 INFORMATION

|  | Integrated LED | Replacement LED Lamp | No Lamp * |
|--|----------------|----------------------|-----------|
| This product can be used to comply with California Building Energy Efficiency Standards 2016 <b>Title 24</b> Part 6.                                 |                | Yes                  | N/A       |
| This product can be used to comply with California Appliance Efficiency Standards 2016 <b>Title 20</b> and may be shipped to and sold in California. |                | Yes                  | N/A       |

\* If a light fixture or component does not include a lamp or light source, it is the responsibility of the customer to select a lamp that meets the T24 and T20 requirements.

