

## PRODUCT FEATURES

- Elegant contemporary style using on-trend combinations of metal and acrylic
- Small scale perfect for accent lighting applications
- Adaptable to modern ceiling lighting and warm contemporary ceiling lighting applications
- High quality, dimmable integrated LED lamping with glare-free light diffusion
- Coordinating Akova Pendants and Akova Wall Sconce also available
- Protected by a 5-year warranty, please visit [www.techlighting.com](http://www.techlighting.com) for details



Aged Brass /  
Bright Brass



Aged Brass /  
Bright Brass

Matte Black /  
Aged Brass

## LAMPING

Includes 14 watt, 640.9 delivered lumens, 2700K LED module. May be mounted on wall or ceiling. Dimmable with most LED compatible ELV and TRIAC dimmers. 120V.

## ORDERING INFORMATION

### 700FMAKV COLOR

RR AGED BRASS/BRIGHT BRASS  
BR MATTE BLACK/AGED BRASS

### LAMP

-LED927 LED 90 CRI 2700K 120V

700FMAKV \_\_\_\_\_

JOB NAME \_\_\_\_\_

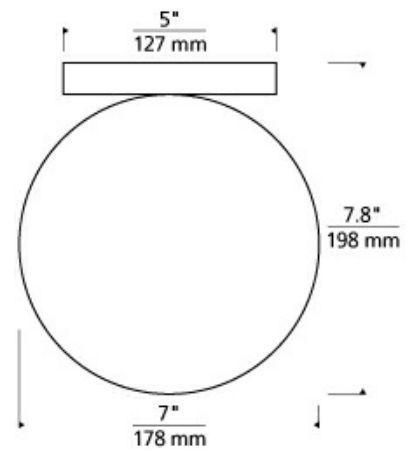
NOTES \_\_\_\_\_



# AKOVA FLUSH MOUNT

## SPECIFICATIONS

HARDWARE MATERIAL	Metal
SHADE MATERIAL	Acrylic
NET WEIGHT	2 lbs
HEIGHT	7.8in
WIDTH	7in
LENGTH	7in
UP LIGHT / DOWN LIGHT / BOTH?	
WET LISTED	
DAMP LISTED	Yes
DRY LISTED	
WALL / CEILING MOUNT	
GENERAL LISTING	ETL Listed
INCLUDES	



## LAMPING SPECIFICATIONS

	LED LAMP	INTEGRATED LED	NON LED	NO LAMP
DELIVERED LUMENS		640.9		
WATTS		14		
MAX WATTAGE PER BULB		14W		
INPUT VOLTAGE		120V		
DIMMING TYPE*		ELV, TRIAC		
CCT		2700K		
CRI		90 CRI		
LED LIFETIME				
L70		>50000		
AVERAGE BULB HOURS				
FIELD SERVICEABLE LED				
LAMP BASE		Integrated LED		
LAMP SHAPE		Integrated LED		
LAMP INCLUDED?		Y		
WARRANTY**		5 Years		

\*Dimming information available at [www.techlighting.com/Downloads#dimming](http://www.techlighting.com/Downloads#dimming)

\*\* Visit [techlighting.com](http://techlighting.com) for specific warranty limitations and details.

## T20 / T24 INFORMATION

	Integrated LED	Replacement LED Lamp	No Lamp *
This product can be used to comply with California Building Energy Efficiency Standards 2016 <b>Title 24</b> Part 6.	No		
This product can be used to comply with California Appliance Efficiency Standards 2016 <b>Title 20</b> and may be shipped to and sold in California.	N/A		

\* If a light fixture or component does not include a lamp or light source, it is the responsibility of the customer to select a lamp that meets the T24 and T20 requirements.

