

WINDSOR LINE-VOLTAGE PENDANT

PRODUCT FEATURES

- Mid-century modern design with sleek contemporary styling
- Duel-tapered, elongated silhouette
- Complementary low-voltage Windsor pendant by Tech Lighting
- Fully dimmable LED lamping option allows you to create your desired ambiance
- Available lamping options include energy efficient LED or no-lamp, leaving you the option to light this fixture with your preferred lamping
- Protected by a 1-year warranty



Black

LAMPING

Rated for (1) 60 watt max, E26 medium based lamp (Lamp Not Included) LED includes 120 volt 10.8 watt 470 delivered lumen, 3000K medium base LED PAR 20 lamp. Fixture provided with six feet of field-cutttable black cloth cord. Dimmable with most LED compatible ELV and TRIAC dimmers.



Black



Concrete



Satin Nickel

ORDERING INFORMATION

| 700 | SYSTEM | WDS | COLOR | FINISH | LAMP |
|-----|-------------------------------------|-----|---|---------|---|
| | TD LINE-VOLTAGE PENDANTS/SUSPENSION | | B BLACK C CONCRETE S SATIN NICKEL | B BLACK | NO LAMP -LED930 PAR 20 LED 90 CRI 3000K 120V |

700 _____ WDS _____

JOB NAME _____

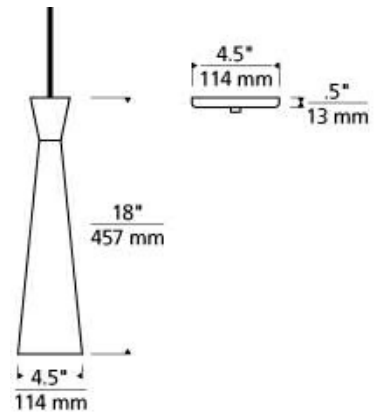
NOTES _____



WINDSOR LINE-VOLTAGE PENDANT

SPECIFICATIONS

| | |
|-------------------------------|------------|
| HARDWARE MATERIAL | Metal |
| SHADE MATERIAL | |
| NET WEIGHT | 1.5 lbs |
| HEIGHT | 18in |
| WIDTH | 4.5in |
| LENGTH | 4.5in |
| UP LIGHT / DOWN LIGHT / BOTH? | |
| WET LISTED | |
| DAMP LISTED | Yes |
| DRY LISTED | |
| MIN. HANGING HEIGHT | 24.5in |
| MAX HANGING HEIGHT | 90.5in |
| TOTAL CORD LENGTH | 72in |
| TOTAL STEM LENGTH | |
| STEM QTY | |
| SLOPED CEILING ADAPTABLE? | Yes |
| GENERAL LISTING | ETL Listed |
| INCLUDES | |



LAMPING SPECIFICATIONS

| | LED LAMP | INTEGRATED LED | NON LED | NO LAMP |
|-----------------------|-----------------|----------------|---------|-----------------|
| DELIVERED LUMENS | 470 | | | |
| WATTS | 10.8 | | | |
| MAX WATTAGE PER BULB | 60W | | | 60W |
| INPUT VOLTAGE | 120V | | | 120V |
| DIMMING TYPE* | ELV, TRIAC | | | ELV, TRIAC |
| CCT | 3000K | | | |
| CRI | 90 CRI | | | |
| LED LIFETIME | | | | |
| L70 | | | | |
| AVERAGE BULB HOURS | 25000 | | | |
| FIELD SERVICEABLE LED | | | | |
| LAMP BASE | E26 Medium Base | | | E26 Medium Base |
| LAMP SHAPE | PAR20 | | | PAR20 |
| LAMP INCLUDED? | Y | | | N |
| WARRANTY** | 1 Year | | | 1 Year |

* Dimming information available at www.techlighting.com/Downloads#dimming

** Visit techlighting.com for specific warranty limitations and details.

T20 / T24 INFORMATION

| | Integrated LED | Replacement LED Lamp | No Lamp * |
|--|----------------|----------------------|-----------|
| This product can be used to comply with California Building Energy Efficiency Standards 2016 Title 24 Part 6. | | | |
| This product can be used to comply with California Appliance Efficiency Standards 2016 Title 20 and may be shipped to and sold in California. | | | |

* If a light fixture or component does not include a lamp or light source, it is the responsibility of the customer to select a lamp that meets the T24 and T20 requirements.

