

# DOBSON LINEAR SUSPENSION



## PRODUCT FEATURES

- Features an angular, metal shade that houses a powerful LED lamping source
- Available in a wide variety of colors and finishes for optimal customization
- Ideal for dining room lighting, home office lighting and foyer lighting
- Ships with an energy efficient integrated LED lamp
- Fully dimmable integrated LED lamping creates the desired ambiance
- Protected by a 5-year warranty



## LAMPING

Includes 23 watt, 1200 delivered lumen, 3000K LED module. Ships with twelve feet of field-cutttable cable. Dimmable with low-voltage electronic dimmer.

Satin Nickel



Satin Nickel

## ORDERING INFORMATION

| 700LSDBS | FINISH         | LAMP   |
|----------|----------------|--|
|          | S SATIN NICKEL | -LED930 LED 90 CRI 3000K 120V<br>-LED930-277 LED 90 CRI 3000K 277V |

700LSDBS \_\_\_\_\_

JOB NAME \_\_\_\_\_

NOTES \_\_\_\_\_

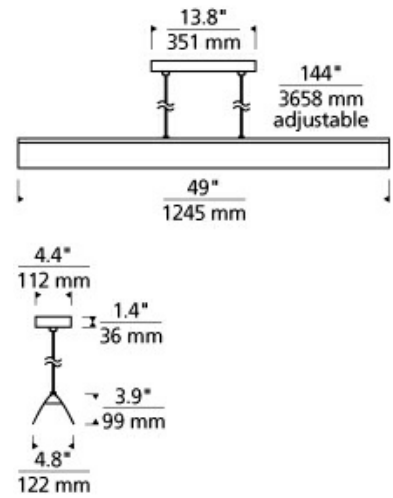


# DOBSON LINEAR SUSPENSION



## SPECIFICATIONS

|                               |            |
|-------------------------------|------------|
| HARDWARE MATERIAL             | Metal      |
| SHADE MATERIAL                |            |
| NET WEIGHT                    | 7.5 lbs    |
| HEIGHT                        | 3.9in      |
| WIDTH                         | 4.8in      |
| LENGTH                        | 49in       |
| UP LIGHT / DOWN LIGHT / BOTH? |            |
| WET LISTED                    |            |
| DAMP LISTED                   | Yes        |
| DRY LISTED                    |            |
| MIN. HANGING HEIGHT           |            |
| MAX HANGING HEIGHT            | 144in      |
| TOTAL CORD LENGTH             | 12in       |
| TOTAL STEM LENGTH             |            |
| STEM QTY                      |            |
| SLOPED CEILING ADAPTABLE?     | Yes        |
| GENERAL LISTING               | ETL Listed |
| INCLUDES                      |            |



## LAMPING SPECIFICATIONS

|                       | LED LAMP | INTEGRATED LED | NON LED | NO LAMP |
|-----------------------|----------|----------------|---------|---------|
| DELIVERED LUMENS      |          | 1200           |         |         |
| WATTS                 |          | 23             |         |         |
| MAX WATTAGE PER BULB  |          | 23W            |         |         |
| INPUT VOLTAGE         |          | 120V<br>277V   |         |         |
| DIMMING TYPE*         |          | ELV            |         |         |
| CCT                   |          | 3000K          |         |         |
| CRI                   |          | 90 CRI         |         |         |
| LED LIFETIME          |          |                |         |         |
| L70                   |          |                |         |         |
| AVERAGE BULB HOURS    |          | 30000          |         |         |
| FIELD SERVICEABLE LED |          |                |         |         |
| LAMP BASE             |          | Integrated LED |         |         |
| LAMP SHAPE            |          | Integrated LED |         |         |
| LAMP INCLUDED?        |          | Y              |         |         |
| WARRANTY**            |          | 5 Years        |         |         |

\* Dimming information available at [www.techlighting.com/Downloads#dimming](http://www.techlighting.com/Downloads#dimming)

\*\* Visit [techlighting.com](http://techlighting.com) for specific warranty limitations and details.

## T20 / T24 INFORMATION

|   | Integrated LED | Replacement LED Lamp | No Lamp * |
|---|----------------|----------------------|-----------|
| This product can be used to comply with California Building Energy Efficiency Standards 2016 Title 24 Part 6.                                 |                |                      |           |
| This product can be used to comply with California Appliance Efficiency Standards 2016 Title 20 and may be shipped to and sold in California. |                |                      |           |

\* If a light fixture or component does not include a lamp or light source, it is the responsibility of the customer to select a lamp that meets the T24 and T20 requirements.



© 2019 Tech Lighting, L.L.C. All rights reserved. The "Tech Lighting" graphic is a registered trademark of Tech Lighting, L.L.C. Tech Lighting reserves the right to change specifications for product improvements without notification.

7400 Linder Avenue, Skokie, IL 60077  
T 847.410.4400 | F 847.410.4500 | [techlighting.com](http://techlighting.com)