

## PRODUCT FEATURES



## LAMPING

Mounts to Kable Lite Only Includes 12 watt, 752.7 delivered lumen, 3000K LED module. Dimmable with low-voltage electronic or magnetic dimmer (based on transformer).

K-Lev



K-Lev

## ORDERING INFORMATION

700KLLEV	LENGTH (A)	CABLE SEPARATION	FINISH	LAMP
	12.12"	05.550000	S SATIN NICKEL	-LED830 LED 80 CRI 3000K 120V

700KLLEV

JOB NAME

NOTES

---



---



---



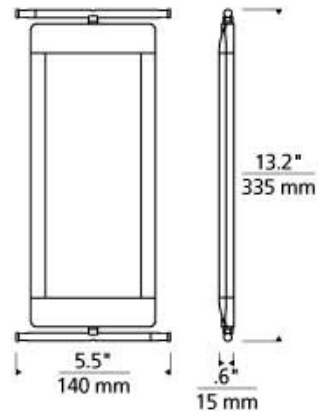
---



# K-LEV HEAD

## SPECIFICATIONS

HARDWARE MATERIAL	
SHADE MATERIAL	
NET WEIGHT	1.96 lbs
HEIGHT	13.2in
WIDTH	0.6in
LENGTH	5.5in
BEAM SPREAD	
UP LIGHT / DOWN LIGHT / BOTH?	
WET LISTED	
DAMP LISTED	
DRY LISTED	
MIN. HANGING HEIGHT	
MAX HANGING HEIGHT	
TOTAL CORD LENGTH	
SLOPED CEILING ADAPTABLE?	No
GENERAL LISTING	ETL Listed
INCLUDES	



## LAMPING SPECIFICATIONS

	LED LAMP	INTEGRATED LED	NON LED	NO LAMP
DELIVERED LUMENS	752.7			
WATTS	14			
MAX WATTAGE PER BULB	14W			
INPUT VOLTAGE	12V			
DIMMING TYPE*				
CCT	3000K			
CRI	80 CRI			
LED LIFETIME				
L70				
AVERAGE BULB HOURS				
FIELD SERVICEABLE LED				
LAMP BASE				
LAMP SHAPE				
LAMP INCLUDED?	Y			
WARRANTY**				

\* Dimming information available at [www.techlighting.com/Downloads#dimming](http://www.techlighting.com/Downloads#dimming)  
 \*\* Visit [techlighting.com](http://techlighting.com) for specific warranty limitations and details.

## T20 / T24 INFORMATION

	Integrated LED	Replacement LED Lamp	No Lamp *
This product can be used to comply with California Building Energy Efficiency Standards 2016 <b>Title 24</b> Part 6.			
This product can be used to comply with California Appliance Efficiency Standards 2016 <b>Title 20</b> and may be shipped to and sold in California.			

\* If a light fixture or component does not include a lamp or light source, it is the responsibility of the customer to select a lamp that meets the T24 and T20 requirements.

