

## PRODUCT FEATURES

- Modern design style featuring slumped transparent glass
- Even wash of light onto surrounding surfaces
- Jaxon Wall light also available from Tech Lighting
- Ideal for residential and commercial lighting applications
- Fully-dimmable to create the desired ambiance in your special space
- Protected by a 5-year warranty



## LAMPING

Includes 24 watt, 1050 net lumen, 3000K LED module. Dimmable with low-voltage electronic dimmer.

Chrome



Chrome

Satin Nickel

## ORDERING INFORMATION

700BCJXN25 COLOR	FINISH	LAMP
C CLEAR	C CHROME	-LED830 LED 90 CRI 3000K 120V
	S SATIN NICKEL	-LED830-277 LED 90 CRI 3000K 277V
		-LED930 LED 90 CRI 3000K 120V
		-LED930-277 LED 90 CRI 3000K 277V

700BCJXN25 \_\_\_\_\_

JOB NAME \_\_\_\_\_

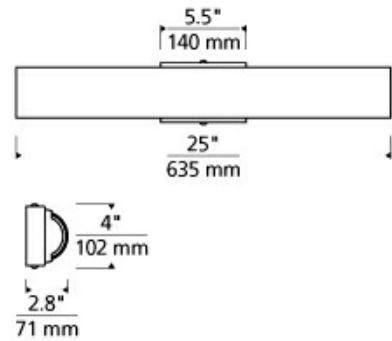
NOTES \_\_\_\_\_

\_\_\_\_\_



## SPECIFICATIONS

HARDWARE MATERIAL	Metal
SHADE MATERIAL	Glass
NET WEIGHT	4 lbs
HEIGHT	4in
WIDTH	2.8in
LENGTH	25in
WET LISTED	
DAMP LISTED	
DRY LISTED	
SLOPED CEILING ADAPTABLE?	No
GENERAL LISTING	
INCLUDES	



## LAMPING SPECIFICATIONS

	LED LAMP	INTEGRATED LED	NON LED	NO LAMP
DELIVERED LUMENS		1050		
WATTS		24		
MAX WATTAGE PER BULB		24W		
INPUT VOLTAGE		120V 277V		
DIMMING TYPE*				
CCT		3000K		
CRI		90 CRI		
LED LIFETIME				
L70				
AVERAGE BULB HOURS		25000		
FIELD SERVICEABLE LED				
LAMP BASE		Integrated LED		
LAMP SHAPE		Integrated LED		
LAMP INCLUDED?		Y		
WARRANTY**		5 Years		

\* Dimming information available at [www.techlighting.com/Downloads#dimming](http://www.techlighting.com/Downloads#dimming)

\*\* Visit [techlighting.com](http://techlighting.com) for specific warranty limitations and details.

## T20 / T24 INFORMATION

	Integrated LED	Replacement LED Lamp	No Lamp *
This product can be used to comply with California Building Energy Efficiency Standards 2016 <b>Title 24</b> Part 6.			
This product can be used to comply with California Appliance Efficiency Standards 2016 <b>Title 20</b> and may be shipped to and sold in California.			

\* If a light fixture or component does not include a lamp or light source, it is the responsibility of the customer to select a lamp that meets the T24 and T20 requirements.

