

# PRESCOTT PENDANT

## PRODUCT FEATURES

- Handcrafted by highly skilled Polish artisans
- Large-scale, elegantly curved silhouette
- Complementary Quinton and Harper pendants also available by Tech Lighting
- Fully dimmable LED lamping option allows you to create your desired ambiance
- Available lamping options include energy efficient LED or no-lamp, leaving you the option to light this fixture with your preferred lamping
- Protected by a 1-year warranty



## LAMPING

Rated for (1) 60 watt max, E26 medium base lamp (Lamp Not Included). LED includes (1) 120 volt 3.5 watt, 250 delivered lumen, 2700K, medium base LED vintage squirrel cage lamp. Dimmable with most LED compatible ELV and TRIAC dimmers. Black ships with six feet of field-cuttable black cloth cord. Satin Nickel ships with six feet of field-cuttable cable.

Smoke  
Incandescent



Clear  
Incandescent



Smoke  
Incandescent



Surf Green  
Incandescent

## ORDERING INFORMATION

700	SYSTEM	PRCP	COLOR	FINISH	LAMP
	TD LINE-VOLTAGE PENDANTS/SUSPENSION		C CLEAR K SMOKE G SURF GREEN	B BLACK S SATIN NICKEL	NO LAMP -LED927 LED 90 CRI 2700K 120V (T24)

700 \_\_\_\_\_ PRCP \_\_\_\_\_

JOB NAME \_\_\_\_\_

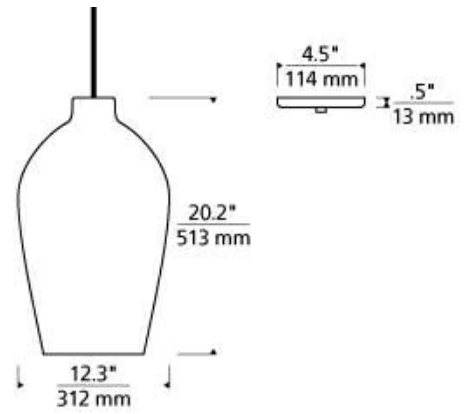
NOTES \_\_\_\_\_  
 \_\_\_\_\_  
 \_\_\_\_\_



# PRESCOTT PENDANT

## SPECIFICATIONS

HARDWARE MATERIAL	Metal
SHADE MATERIAL	Glass
NET WEIGHT	9 lbs
HEIGHT	20.2in
WIDTH	12.3in
LENGTH	12.3in
UP LIGHT / DOWN LIGHT / BOTH?	
WET LISTED	
DAMP LISTED	Yes
DRY LISTED	
MIN. HANGING HEIGHT	26.7in
MAX HANGING HEIGHT	92.7in
TOTAL CORD LENGTH	72in
TOTAL STEM LENGTH	
STEM QTY	
SLOPED CEILING ADAPTABLE?	
GENERAL LISTING	
INCLUDES	



## LAMPING SPECIFICATIONS

	LED LAMP	INTEGRATED LED	NON LED	NO LAMP
DELIVERED LUMENS	250			
WATTS	3.5			
MAX WATTAGE PER BULB	60W		60W	
INPUT VOLTAGE	120V		120V	
DIMMING TYPE*	ELV, TRIAC		ELV, TRIAC	
CCT	2700K			
CRI	90 CRI			
LED LIFETIME				
L70				
AVERAGE BULB HOURS	25000			
FIELD SERVICEABLE LED				
LAMP BASE	E26 Medium Base		E26 Medium Base	
LAMP SHAPE	T6		T6	
LAMP INCLUDED?	Y		Y	
WARRANTY**	1 Year		1 Year	

\* Dimming information available at [www.techlighting.com/Downloads#dimming](http://www.techlighting.com/Downloads#dimming)

\*\* Visit [techlighting.com](http://techlighting.com) for specific warranty limitations and details.

## T20 / T24 INFORMATION

	Integrated LED	Replacement LED Lamp	No Lamp *
This product can be used to comply with California Building Energy Efficiency Standards 2016 <b>Title 24</b> Part 6.		Yes	N/A
This product can be used to comply with California Appliance Efficiency Standards 2016 <b>Title 20</b> and may be shipped to and sold in California.		No	N/A

\* If a light fixture or component does not include a lamp or light source, it is the responsibility of the customer to select a lamp that meets the T24 and T20 requirements.

