

KARAM LARGE PENDANT

PRODUCT FEATURES

- Handcrafted ceramic pendant
- Over-sized scale and textured exterior make for an eye alluring lighting statement in any space
- Complementary low-voltage and ceiling fixture also available from Tech Lighting
- Available lamping options include energy efficient LED or no-lamp, leaving you the option to light this fixture with your preferred lamping
- Ships with 6 feet of field-cuttable cloth cord
- Protected by a 1-year warranty



Concrete / White
Large



Black / Black
Large

Concrete / White
Large

LAMPING

Large rated for (1) 150w max, E26 medium base lamp (Lamp Not Included). LED includes 19 watt, 1680 gross lumen A21 LED lamp. Provided with twelve field-cuttable cloth cord to match finish selection. Dimmable with most LED compatible ELV and TRIAC dimmers.

ORDERING INFORMATION

700	SYSTEM	KRMP	SHAPE OR SIZE	COLOR	LAMP
	TD LINE-VOLTAGE PENDANTS/SUSPENSION		L LARGE	BB BLACK/BLACK CW CONCRETE/WHITE	NO LAMP -LED927 A21 LED 90 CRI 2700K 120V (T20/T24)

700 _____ KRMP _____

JOB NAME _____

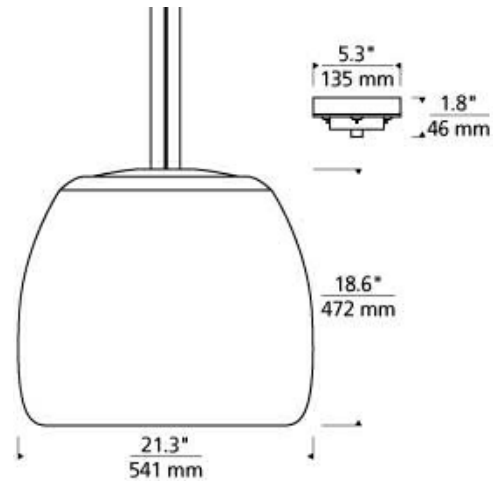
NOTES _____



KARAM LARGE PENDANT

SPECIFICATIONS

HARDWARE MATERIAL	Metal
SHADE MATERIAL	
NET WEIGHT	41.00 lbs
HEIGHT	18.6in
WIDTH	21.3in
LENGTH	21.3in
UP LIGHT / DOWN LIGHT / BOTH?	
WET LISTED	
DAMP LISTED	Yes
DRY LISTED	
MIN. HANGING HEIGHT	26.4in
MAX HANGING HEIGHT	164.4in
TOTAL CORD LENGTH	144in
TOTAL STEM LENGTH	
STEM QTY	
SLOPED CEILING ADAPTABLE?	Yes
GENERAL LISTING	ETL Listed
INCLUDES	



LAMPING SPECIFICATIONS

	LED LAMP	INTEGRATED LED	NON LED	NO LAMP
DELIVERED LUMENS	1680		1680	
WATTS	19		19	
MAX WATTAGE PER BULB	150W		150W	150W
INPUT VOLTAGE	120V		120V	120V
DIMMING TYPE*	ELV, TRIAC		ELV, TRIAC	ELV, TRIAC
CCT	2700K		2700K	
CRI	90 CRI		90 CRI	
LED LIFETIME				
L70				
AVERAGE BULB HOURS	25000		25000	
FIELD SERVICEABLE LED				
LAMP BASE	E26 Medium Base		E26 Medium Base	E26 Medium Base
LAMP SHAPE	A21		A21	A21
LAMP INCLUDED?	Y		Y	N
WARRANTY**	1 Year		1 Year	1 Year

* Dimming information available at www.techlighting.com/Downloads#dimming

** Visit techlighting.com for specific warranty limitations and details.

T20 / T24 INFORMATION

	Integrated LED	Replacement LED Lamp	No Lamp *
This product can be used to comply with California Building Energy Efficiency Standards 2016 Title 24 Part 6.			
This product can be used to comply with California Appliance Efficiency Standards 2016 Title 20 and may be shipped to and sold in California.			

* If a light fixture or component does not include a lamp or light source, it is the responsibility of the customer to select a lamp that meets the T24 and T20 requirements.

