

## PRODUCT FEATURES

- Modern spin on the traditional drum shade
- Features warm and elegant bands of wood trim along circumference of fixture base
- White acrylic diffuser softly diffuses lighting without sacrificing abundant light output
- Topo Pendant and Topo Flush Mount also available by Tech Lighting
- Ideal for commercial and residential lighting applications
- Protected by a 1-year warranty



## LAMPING

Rated for (4) 75 watt max. E26 medium base lamps (Lamps Not Included). LED includes (4) 9.5 watt, 800 delivered lumens, 2700K, medium base LED A19 lamps. . Dimmable with most LED compatible ELV and TRIAC dimmers. Canopy includes integrated hang stright. Must specify stem length at time of ordering.

White



Heather Gray

White

## ORDERING INFORMATION

700TPO	LENGTH (A)	COLOR	TRIM COLOR	FINISH	LAMP
	24 24"	W WHITE	M MAPLE WOOD	Z ANTIQUE BRONZE	NO LAMP
	36 36"		W WALNUT WOOD	S SATIN NICKEL	-LED927 A19 LED 90 CRI 2700K 120V (T20/T24)
	48 48"				

700TPO \_\_\_\_\_

JOB NAME \_\_\_\_\_

NOTES \_\_\_\_\_

\_\_\_\_\_

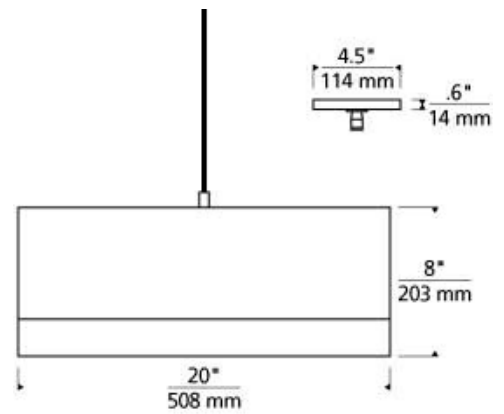
\_\_\_\_\_



# TOPO SUSPENSION

## SPECIFICATIONS

HARDWARE MATERIAL	Metal
SHADE MATERIAL	Fabric
NET WEIGHT	8 lbs
HEIGHT	8in
WIDTH	20in
LENGTH	20in
UP LIGHT / DOWN LIGHT / BOTH?	
WET LISTED	
DAMP LISTED	Yes
DRY LISTED	
MIN. HANGING HEIGHT	24in
MAX HANGING HEIGHT	24in
TOTAL CORD LENGTH	
TOTAL STEM LENGTH	
STEM QTY	1
SLOPED CEILING ADAPTABLE?	No
GENERAL LISTING	ETL Listed
INCLUDES	



## LAMPING SPECIFICATIONS

	LED LAMP	INTEGRATED LED	NON LED	NO LAMP
DELIVERED LUMENS	800			
WATTS	9.5			
MAX WATTAGE PER BULB	75W			75W
INPUT VOLTAGE	120V			120V
DIMMING TYPE*	ELV, TRIAC			ELV, TRIAC
CCT	2700K			
CRI	90 CRI			
LED LIFETIME				
L70				
AVERAGE BULB HOURS	25000			
FIELD SERVICEABLE LED				
LAMP BASE	E26 Medium Base			E26 Medium Base
LAMP SHAPE	A19			A19
LAMP INCLUDED?	Y			N
WARRANTY**	1 Year			1 Year

\* Dimming information available at [www.techlighting.com/Downloads#dimming](http://www.techlighting.com/Downloads#dimming)

\*\* Visit [techlighting.com](http://techlighting.com) for specific warranty limitations and details.

## T20 / T24 INFORMATION

	Integrated LED	Replacement LED Lamp	No Lamp *
This product can be used to comply with California Building Energy Efficiency Standards 2016 <b>Title 24</b> Part 6.		Yes	No
This product can be used to comply with California Appliance Efficiency Standards 2016 <b>Title 20</b> and may be shipped to and sold in California.		Yes	Yes

\* If a light fixture or component does not include a lamp or light source, it is the responsibility of the customer to select a lamp that meets the T24 and T20 requirements.

