

PRODUCT FEATURES

- Elegant design style made of pure crystal
- Hand-blown glass diffuser
- Available in three on-trend finishes
- Sara Pendant also available by Tech Lighting
- Fully dimmable to create the desired ambiance in your special space
- Protected by a 1-year warranty



Clear



Clear

LAMPING

Instantly elevates any space. Rated for (1) 60w max, E26 medium based lamp (T10 lamp not included). Fluorescent includes 120 volt 26 watt GX24Q-3 base triple tube compact fluorescent lamp. May also be lamped with 32 watt GX24Q-3 base triple tube compact fluorescent lamp (not included). No Lamp version dimmable with standard incandescent dimmer.

ORDERING INFORMATION

700WSSAR COLOR	FINISH	LAMP
C CLEAR	Z ANTIQUE BRONZE C CHROME S SATIN NICKEL	NO LAMP

700WSSAR _____

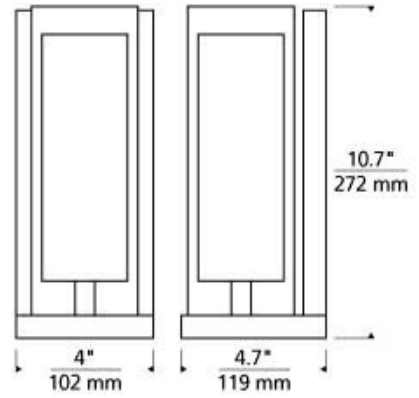
JOB NAME _____

NOTES _____



SPECIFICATIONS

HARDWARE MATERIAL	Metal
SHADE MATERIAL	Glass
NET WEIGHT	7 lbs
HEIGHT	10.7in
WIDTH	4.7in
LENGTH	4in
MIN. EXTENSION FROM WALL	
UP LIGHT / DOWN LIGHT / BOTH?	
WET LISTED	
DAMP LISTED	
DRY LISTED	
UP / DOWN	
HORIZONTAL / VERTICAL	
WALL / CEILING MOUNT	
SLOPED CEILING ADAPTABLE?	No
GENERAL LISTING	ETL Listed
ADA COMPLIANT	
INCLUDES	



LAMPING SPECIFICATIONS

	LED LAMP	INTEGRATED LED	NON LED	NO LAMP
DELIVERED LUMENS				
WATTS				
MAX WATTAGE PER BULB				60W
INPUT VOLTAGE				120V
DIMMING TYPE*				
CCT				
CRI				
LED LIFETIME				
L70				
AVERAGE BULB HOURS				
FIELD SERVICEABLE LED				
LAMP BASE				E26 Medium Base
LAMP SHAPE				
LAMP INCLUDED?				N
WARRANTY**				1 Year

*Dimming information available at www.techlighting.com/Downloads#dimming

** Visit techlighting.com for specific warranty limitations and details.

T20 / T24 INFORMATION

	Integrated LED	Replacement LED Lamp	No Lamp *
This product can be used to comply with California Building Energy Efficiency Standards 2016 Title 24 Part 6.			
This product can be used to comply with California Appliance Efficiency Standards 2016 Title 20 and may be shipped to and sold in California.			

* If a light fixture or component does not include a lamp or light source, it is the responsibility of the customer to select a lamp that meets the T24 and T20 requirements.

