

## PRODUCT FEATURES

- Elegant design style made of pure crystal
- Hand-blown glass diffuser
- Available in three on-trend finishes
- Sara Pendant, Sara Wall and Sara Double Wall also available by Tech Lighting
- Fully dimmable to create the desired ambiance in your special space
- 1 year warranty with no lamping option. 5 year warranty with LED lamping option



## LAMPING

Instantly elevates any space. May be mounted vertically or horizontally. Rated for (2) 60w max, E26 medium based lamp (T10 lamp not included). Fluorescent includes two 18 watt 2GX7 base twin tube compact fluorescent lamps.

Sara Double Wall



Sara Double Wall

## ORDERING INFORMATION

### 700WSSARDC FINISH

- C CHROME
- S SATIN NICKEL

### LAMP

NO LAMP

700WSSARDC \_\_\_\_\_

JOB NAME \_\_\_\_\_

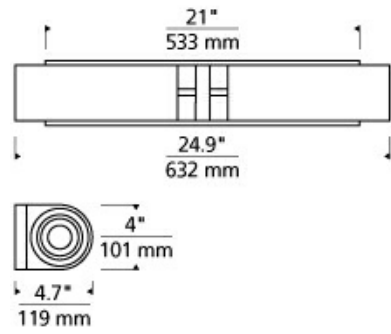
NOTES \_\_\_\_\_



# SARA DOUBLE WALL

## SPECIFICATIONS

HARDWARE MATERIAL	Metal
SHADE MATERIAL	
NET WEIGHT	10 lbs
HEIGHT	4in
WIDTH	4.7in
LENGTH	24.9in
WET LISTED	
DAMP LISTED	
DRY LISTED	
GENERAL LISTING	
INCLUDES	



## LAMPING SPECIFICATIONS

	LED LAMP	INTEGRATED LED	NON LED	NO LAMP
DELIVERED LUMENS				
WATTS				
MAX WATTAGE PER BULB			120W	
INPUT VOLTAGE			120V	
DIMMING TYPE*			ELV, TRIAC	
CCT				
CRI				
LED LIFETIME				
L70				
AVERAGE BULB HOURS				
FIELD SERVICEABLE LED				
LAMP BASE			E26 Medium Base	
LAMP SHAPE			T6	
LAMP INCLUDED?			Y	
WARRANTY**			1 Year	

\*Dimming information available at [www.techlighting.com/Downloads#dimming](http://www.techlighting.com/Downloads#dimming)

\*\* Visit [techlighting.com](http://techlighting.com) for specific warranty limitations and details.

## T20 / T24 INFORMATION

	Integrated LED	Replacement LED Lamp	No Lamp *
This product can be used to comply with California Building Energy Efficiency Standards 2016 <b>Title 24</b> Part 6.			N/A
This product can be used to comply with California Appliance Efficiency Standards 2016 <b>Title 20</b> and may be shipped to and sold in California.			N/A

\* If a light fixture or component does not include a lamp or light source, it is the responsibility of the customer to select a lamp that meets the T24 and T20 requirements.

