

PRODUCT FEATURES

- Handsome and bold design
- Features die-cast metal detailing for a sophisticated appeal
- ADA compliant
- Ideal for vanities, bathrooms and hallways
- LED lamping option is full dimmable to create your desired ambiance
- Protected by a 5-year warranty if integrated LED lamp is chosen and 1-year warranty if no-lamp option is chosen



Satin Nickel

LAMPING

Includes two 120 volt, 60 watt G9 base halogen lamps or 12 watt, 780 lumens, 3000K LED modules. Incandescent version dimmable with standard incandescent dimmer. Mounts up or down. ADA compliant.



Antique Bronze

Satin Nickel

ORDERING INFORMATION

700WSKISW COLOR	FINISH	LAMP
W WHITE GLASS	Z ANTIQUE BRONZE	INCANDESCENT (T20)
	C CHROME	-LED830 LED 80 CRI 3000K 120V
	S SATIN NICKEL	-LED830-277 LED 80 CRI 3000K 277V

White acrylic not available with incandescent lamp option.

700WSKISW _____

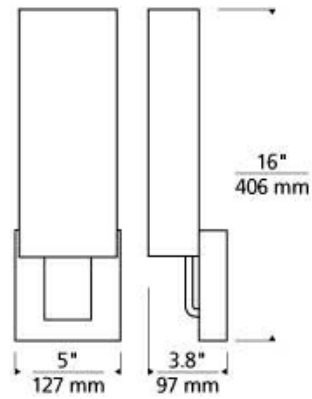
JOB NAME _____

NOTES _____



SPECIFICATIONS

HARDWARE MATERIAL	Metal
SHADE MATERIAL	Glass
NET WEIGHT	3.5 lbs
HEIGHT	16in
WIDTH	3.8in
LENGTH	5in
MIN. EXTENSION FROM WALL	
UP LIGHT / DOWN LIGHT / BOTH?	
WET LISTED	
DAMP LISTED	
DRY LISTED	
UP / DOWN	
HORIZONTAL / VERTICAL	
WALL / CEILING MOUNT	
GENERAL LISTING	
ADA COMPLIANT	
INCLUDES	



LAMPING SPECIFICATIONS

	LED LAMP	INTEGRATED LED	NON LED	NO LAMP
DELIVERED LUMENS	780		780	
WATTS			60	
MAX WATTAGE PER BULB	24W			
INPUT VOLTAGE	120V 277V		120V	
DIMMING TYPE*				
CCT	3000K			
CRI	80 CRI			
LED LIFETIME				
L70				
AVERAGE BULB HOURS				
FIELD SERVICEABLE LED				
LAMP BASE				
LAMP SHAPE				
LAMP INCLUDED?	Y		Y	
WARRANTY**				

* Dimming information available at www.techlighting.com/Downloads#dimming

** Visit techlighting.com for specific warranty limitations and details.

T20 / T24 INFORMATION

	Integrated LED	Replacement LED Lamp	No Lamp *
This product can be used to comply with California Building Energy Efficiency Standards 2016 Title 24 Part 6.		No	
This product can be used to comply with California Appliance Efficiency Standards 2016 Title 20 and may be shipped to and sold in California.		Yes	

* If a light fixture or component does not include a lamp or light source, it is the responsibility of the customer to select a lamp that meets the T24 and T20 requirements.

