

BEACON PENDANT

PRODUCT FEATURES

LAMPING

No lamp rated for (1) 75 watt max, E26 medium based lamp (Lamp Not Included). Incandescent version includes 120 volt, 30 watt medium base T9 Classic Edison Style lamp. Ships with six feet of field-cuttable cable. Dimmable with most LED compatible ELV and TRIAC dimmers.



Smoke



Amber



Clear



Smoke



Steel Blue

ORDERING INFORMATION

700	SYSTEM	BCNP	COLOR	FINISH	LAMP
	TD LINE-VOLTAGE PENDANTS/SUSPENSION		A AMBER C CLEAR K SMOKE U STEEL BLUE	Z ANTIQUE BRONZE B BLACK S SATIN NICKEL W WHITE	NO LAMP

700 _____ BCNP _____

JOB NAME _____

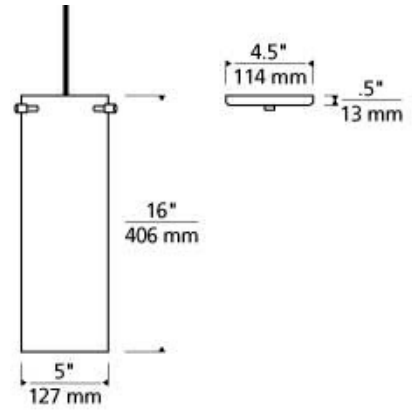
NOTES _____



BEACON PENDANT

SPECIFICATIONS

HARDWARE MATERIAL
SHADE MATERIAL
NET WEIGHT
HEIGHT
WIDTH
LENGTH
UP LIGHT / DOWN LIGHT / BOTH?
WET LISTED
DAMP LISTED
DRY LISTED
MIN. HANGING HEIGHT
MAX HANGING HEIGHT
TOTAL CORD LENGTH
TOTAL STEM LENGTH
STEM QTY
SLOPED CEILING ADAPTABLE?
GENERAL LISTING
INCLUDES



LAMPING SPECIFICATIONS

	LED LAMP	INTEGRATED LED	NON LED	NO LAMP
DELIVERED LUMENS				
WATTS				
MAX WATTAGE PER BULB				
INPUT VOLTAGE				
DIMMING TYPE*				
CCT				
CRI				
LED LIFETIME				
L70				
AVERAGE BULB HOURS				
FIELD SERVICEABLE LED				
LAMP BASE				
LAMP SHAPE				
LAMP INCLUDED?				
WARRANTY**				

*Dimming information available at www.techlighting.com/Downloads#dimming
 ** Visit techlighting.com for specific warranty limitations and details.

T20 / T24 INFORMATION

	Integrated LED	Replacement LED Lamp	No Lamp *
This product can be used to comply with California Building Energy Efficiency Standards 2016 Title 24 Part 6.			
This product can be used to comply with California Appliance Efficiency Standards 2016 Title 20 and may be shipped to and sold in California.			

* If a light fixture or component does not include a lamp or light source, it is the responsibility of the customer to select a lamp that meets the T24 and T20 requirements.

