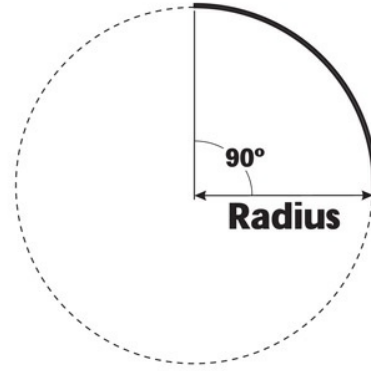


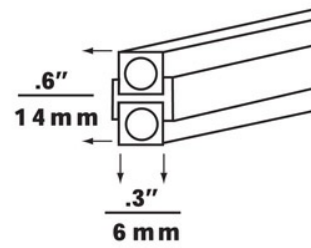
PRE-BENT 90°; CURVE MONORAIL

PRODUCT FEATURES



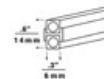
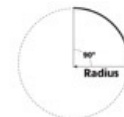
LAMPING

Join four 90° curves to create a circle with a diameter (overall width) equal to twice the specified radius. For a factory bend not shown, please call for a custom quotation.



Brown

Brown



Brown

Brown

ORDERING INFORMATION

700MOBH90 SHAPE OR SIZE	COLOR	FINISH
12 PRE-BENT 90° CURVE	BR BROWN	Z ANTIQUE BRONZE
18 PRE-BENT 90° CURVE	CLEAR	S SATIN NICKEL
24 PRE-BENT 90° CURVE		
36 PRE-BENT 90° CURVE		
48 PRE-BENT 90° CURVE		
60 PRE-BENT 90° CURVE		

700MOBH90 _____

JOB NAME _____

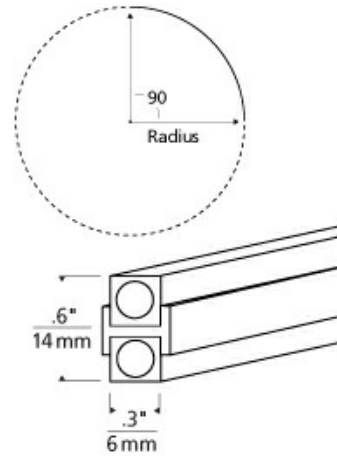
NOTES _____



PRE-BENT 90°; CURVE MONORAIL

SPECIFICATIONS

HARDWARE MATERIAL	
SHADE MATERIAL	
NET WEIGHT	0.21 lbs
HEIGHT	0.6in
WIDTH	0.3in
LENGTH	
WET LISTED	
DAMP LISTED	
DRY LISTED	
SLOPED CEILING ADAPTABLE?	No
GENERAL LISTING	ETL Listed
INCLUDES	



LAMPING SPECIFICATIONS

	LED LAMP	INTEGRATED LED	NON LED	NO LAMP
DELIVERED LUMENS				
WATTS				
MAX WATTAGE PER BULB				
INPUT VOLTAGE				
DIMMING TYPE*				
CCT				
CRI				
LED LIFETIME				
L70				
AVERAGE BULB HOURS				
FIELD SERVICEABLE LED				
LAMP BASE				
LAMP SHAPE				
LAMP INCLUDED?			Y	
WARRANTY**				

*Dimming information available at www.techlighting.com/Downloads#dimming
 ** Visit techlighting.com for specific warranty limitations and details.

T20 / T24 INFORMATION

	Integrated LED	Replacement LED Lamp	No Lamp *
This product can be used to comply with California Building Energy Efficiency Standards 2016 Title 24 Part 6.			
This product can be used to comply with California Appliance Efficiency Standards 2016 Title 20 and may be shipped to and sold in California.			

* If a light fixture or component does not include a lamp or light source, it is the responsibility of the customer to select a lamp that meets the T24 and T20 requirements.

