

## PRODUCT FEATURES



## LAMPING

It can power lamps totaling up to 300 watts. The transformer is concealed inside a decorative housing with a fast acting secondary circuit breaker that will safely turn the system off should a short occur. Once the short has been removed the breaker can be reset.

MonoRail Surface Transformer-300W Mag



MonoRail Surface Transformer-300W Mag

## ORDERING INFORMATION

### 700MOSRT30D FINISH

- Z ANTIQUE BRONZE
- S SATIN NICKEL

As a general rule when using LED fixtures we do not recommend using greater than 70% of specified maximum wattage on the transformer due to inrush current. For assistance, please contact our technical support department.

700MOSRT30D \_\_\_\_\_

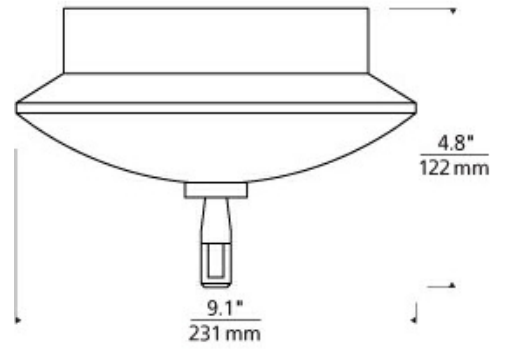
JOB NAME \_\_\_\_\_

NOTES \_\_\_\_\_



## SPECIFICATIONS

HARDWARE MATERIAL	
SHADE MATERIAL	
NET WEIGHT	12.15 lbs
HEIGHT	4.8in
WIDTH	9.1in
LENGTH	
WET LISTED	
DAMP LISTED	
DRY LISTED	
SLOPED CEILING ADAPTABLE?	No
GENERAL LISTING	ETL Listed
INCLUDES	



## LAMPING SPECIFICATIONS

	LED LAMP	INTEGRATED LED	NON LED	NO LAMP
DELIVERED LUMENS				
WATTS				
MAX WATTAGE PER BULB			300W	
INPUT VOLTAGE			120V	
DIMMING TYPE*				
CCT				
CRI				
LED LIFETIME				
L70				
AVERAGE BULB HOURS				
FIELD SERVICEABLE LED				
LAMP BASE				
LAMP SHAPE				
LAMP INCLUDED?			Y	
WARRANTY**				

\*Dimming information available at [www.techlighting.com/Downloads#dimming](http://www.techlighting.com/Downloads#dimming)

\*\* Visit [techlighting.com](http://techlighting.com) for specific warranty limitations and details.

## T20 / T24 INFORMATION

	Integrated LED	Replacement LED Lamp	No Lamp *
This product can be used to comply with California Building Energy Efficiency Standards 2016 <b>Title 24</b> Part 6.			
This product can be used to comply with California Appliance Efficiency Standards 2016 <b>Title 20</b> and may be shipped to and sold in California.			

\* If a light fixture or component does not include a lamp or light source, it is the responsibility of the customer to select a lamp that meets the T24 and T20 requirements.

