

MONORAIL RECESSED CAN TRANSFORMER- 150W EL



PRODUCT FEATURES



LAMPING

This single-feed transformer converts standard 120 line voltage to 12 volts and can power lamps totaling up to 150 watts. The transformer includes a fast acting secondary circuit breaker that will safely turn the system off should a short occur. Once the short has been removed the breaker can be reset.

MonoRail Recessed Can Transformer-150W EL



MonoRail
Recessed Can
Transformer-150W
EL

ORDERING INFORMATION

700MOREC15E FINISH

- Z ANTIQUE BRONZE
- S SATIN NICKEL

700MOREC15E _____

JOB NAME _____

NOTES _____

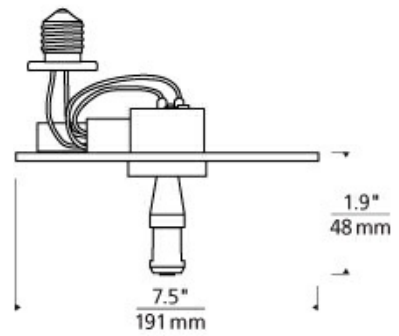


MONORAIL RECESSED CAN TRANSFORMER-150W EL



SPECIFICATIONS

HARDWARE MATERIAL	
SHADE MATERIAL	
NET WEIGHT	1.8 lbs
HEIGHT	1.9in
WIDTH	7.5in
LENGTH	
WET LISTED	
DAMP LISTED	
DRY LISTED	
SLOPED CEILING ADAPTABLE?	No
GENERAL LISTING	ETL Listed
INCLUDES	



LAMPING SPECIFICATIONS

	LED LAMP	INTEGRATED LED	NON LED	NO LAMP
DELIVERED LUMENS				
WATTS				
MAX WATTAGE PER BULB			150W	
INPUT VOLTAGE			120V	
DIMMING TYPE*				
CCT				
CRI				
LED LIFETIME				
L70				
AVERAGE BULB HOURS				
FIELD SERVICEABLE LED				
LAMP BASE				
LAMP SHAPE				
LAMP INCLUDED?			Y	
WARRANTY**				

* Dimming information available at www.techlighting.com/Downloads#dimming

** Visit techlighting.com for specific warranty limitations and details.

T20 / T24 INFORMATION

	Integrated LED	Replacement LED Lamp	No Lamp *
This product can be used to comply with California Building Energy Efficiency Standards 2016 Title 24 Part 6.			
This product can be used to comply with California Appliance Efficiency Standards 2016 Title 20 and may be shipped to and sold in California.			

* If a light fixture or component does not include a lamp or light source, it is the responsibility of the customer to select a lamp that meets the T24 and T20 requirements.

