

DILLON PENDANT

PRODUCT FEATURES

- Beautiful organza brown or white drum shade
- Medium scale perfect for today's interior design trends
- Ships with 6 feet of field-cuttable cord
- Perfect contemporary pedant for dining room lighting and commercial lighting applications
- Ships with choice of Title 24 Compliant LED or standard Incandescent lamp saving you time and money
- Protected by a 1-year warranty



LAMPING

Rated for (1) 75 watt max., medium base lamp (Lamp Not Included). LED includes 120 volt 9.5 watt, 800 delivered lumen, 2700K, medium base LED A19 lamp. Fixture provided with six feet of field-cuttable cable. Dimmable with most LED compatible ELV and TRIAC dimmers.

Brown



Brown

White

ORDERING INFORMATION

| 700 | SYSTEM | DLNPW | COLOR | FINISH | LAMP |
|-----|-------------------------------------|-------|--------------------|--|--|
| | TD LINE-VOLTAGE PENDANTS/SUSPENSION | | N BROWN W WHITE | Z ANTIQUE BRONZE B BLACK S SATIN NICKEL W WHITE | NO LAMP -LED927 A19 LED 90 CRI 2700K 120V (T20/T24) |

700 _____ DLNPW _____

JOB NAME _____

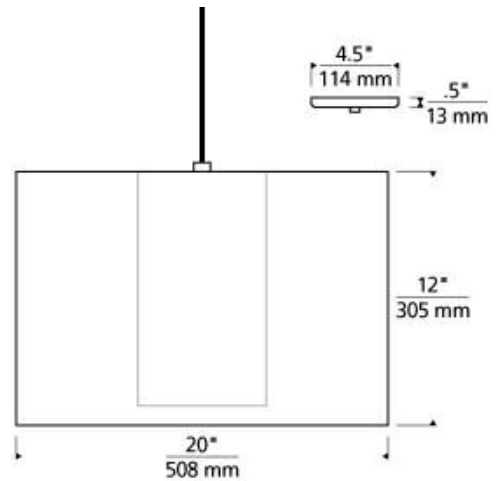
NOTES _____



DILLON PENDANT

SPECIFICATIONS

| | |
|-------------------------------|------------|
| HARDWARE MATERIAL | Metal |
| SHADE MATERIAL | Fabric |
| NET WEIGHT | 5 lbs |
| HEIGHT | 12in |
| WIDTH | 20in |
| LENGTH | 20in |
| UP LIGHT / DOWN LIGHT / BOTH? | |
| WET LISTED | |
| DAMP LISTED | Yes |
| DRY LISTED | |
| MIN. HANGING HEIGHT | 18.5in |
| MAX HANGING HEIGHT | 84.5in |
| TOTAL CORD LENGTH | 72in |
| TOTAL STEM LENGTH | |
| STEM QTY | |
| SLOPED CEILING ADAPTABLE? | Yes |
| GENERAL LISTING | ETL Listed |
| INCLUDES | |



LAMPING SPECIFICATIONS

| | LED LAMP | INTEGRATED LED | NON LED | NO LAMP |
|-----------------------|-----------------|----------------|---------|-----------------|
| DELIVERED LUMENS | 800 | | | |
| WATTS | 9.5 | | | |
| MAX WATTAGE PER BULB | 75W | | | 75W |
| INPUT VOLTAGE | 120V | | | 120V |
| DIMMING TYPE* | ELV, TRIAC | | | ELV, TRIAC |
| CCT | 2700K | | | |
| CRI | 90 CRI | | | |
| LED LIFETIME | | | | |
| L70 | | | | |
| AVERAGE BULB HOURS | 25000 | | | |
| FIELD SERVICEABLE LED | | | | |
| LAMP BASE | E26 Medium Base | | | E26 Medium Base |
| LAMP SHAPE | A19 | | | A19 |
| LAMP INCLUDED? | Y | | | N |
| WARRANTY** | 1 Year | | | 1 Year |

* Dimming information available at www.techlighting.com/Downloads#dimming

** Visit techlighting.com for specific warranty limitations and details.

T20 / T24 INFORMATION

| | Integrated LED | Replacement LED Lamp | No Lamp * |
|--|----------------|----------------------|-----------|
| This product can be used to comply with California Building Energy Efficiency Standards 2016 Title 24 Part 6. | | Yes | No |
| This product can be used to comply with California Appliance Efficiency Standards 2016 Title 20 and may be shipped to and sold in California. | | Yes | Yes |

* If a light fixture or component does not include a lamp or light source, it is the responsibility of the customer to select a lamp that meets the T24 and T20 requirements.

