

MINI OM HEAD

PRODUCT FEATURES

- Simple design that comes with extremely functional customization options
- 360° rotating head and 260° pivot for exact lighting precision
- Neatly concealed lamping for a clean and rescued-glare lighting experience
- Ideal for commercial and residential lighting applications
- Integrated fully dimmable LED lamp
- Protected by a 5-year warranty



LAMPING

Low-voltage, MR16 lamp of up to 50 watts (not included). Accessory required. sold separately. LED Compatible.

With Onyx Accessory



With Onyx Accessory

With Clear Accessory

With Frost Accessory

With Solid Metal Accessory

To view all available finish options, please visit techlighting.com

ORDERING INFORMATION

700	SYSTEM	OM	LENGTH (A)	FINISH
	FJ FREEJACK		03 3"	Z ANTIQUE BRONZE
	MP MONOPOINT		06 6"	S SATIN NICKEL
	MO MONORAIL			
	MO2 TWO-CIRCUIT MONORAIL			
	WMO WALL MONORAIL			

Note: MP includes 4" Round Flush Canopy.

700 _____ OM _____

JOB NAME _____

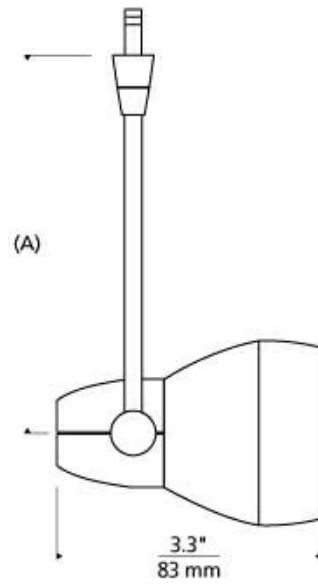
NOTES _____



MINI OM HEAD

SPECIFICATIONS

HARDWARE MATERIAL	Metal
SHADE MATERIAL	
NET WEIGHT	0.31 lbs
HEIGHT	3in
WIDTH	3.3in
LENGTH	
BEAM SPREAD	
UP LIGHT / DOWN LIGHT / BOTH?	
WET LISTED	
DAMP LISTED	
DRY LISTED	
MIN. HANGING HEIGHT	
MAX HANGING HEIGHT	
TOTAL CORD LENGTH	
SLOPED CEILING ADAPTABLE?	No
GENERAL LISTING	ETL Listed
INCLUDES	



LAMPING SPECIFICATIONS

	LED LAMP	INTEGRATED LED	NON LED	NO LAMP
DELIVERED LUMENS				
WATTS			50	
MAX WATTAGE PER BULB			50W	
INPUT VOLTAGE			12V 120V	
DIMMING TYPE*				
CCT				
CRI				
LED LIFETIME				
L70				
AVERAGE BULB HOURS				
FIELD SERVICEABLE LED				
LAMP BASE				
LAMP SHAPE				
LAMP INCLUDED?			Y	
WARRANTY**				

* Dimming information available at www.techlighting.com/Downloads#dimming

** Visit techlighting.com for specific warranty limitations and details.

T20 / T24 INFORMATION

	Integrated LED	Replacement LED Lamp	No Lamp *
This product can be used to comply with California Building Energy Efficiency Standards 2016 Title 24 Part 6.			
This product can be used to comply with California Appliance Efficiency Standards 2016 Title 20 and may be shipped to and sold in California.			

* If a light fixture or component does not include a lamp or light source, it is the responsibility of the customer to select a lamp that meets the T24 and T20 requirements.

