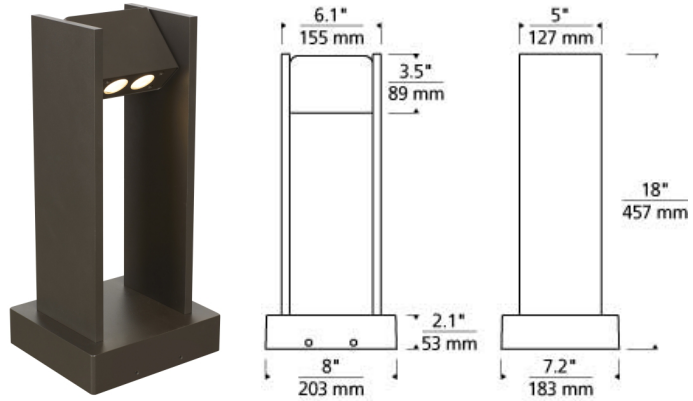


Zur Outdoor Path LED

DESCRIPTION

Exhibiting a refined and unadorned minimalist aesthetic, the Zur path light by Tech Lighting features an innovative 300° pivot design that aims light precisely for exterior way-finding, architectural accents or landscape illumination. Zur path lights fit seamlessly with contemporary architecture and landscapes while providing efficient LED illumination. [12V Outdoor](#)
[Transformer required, click here for transformer spec sheet](#)



black



bronze

ORDERING INFORMATION

700OAZUR CRI	COLOR TEMP	LENGTH (A)	FINISH	VOLTAGE
9 90 CRI	27 2700K 30 3000K	18 18"	B BLACK Z BRONZE	12 12V



TECH LIGHTING®

7400 Linder Avenue
 Skokie, Illinois 60077

T 847.410.4400
 F 847.410.4500

Tech Lighting, L.L.C.

700OAZUR _____

FIXTURE TYPE: _____

JOB NAME: _____

NOTES: _____



©2018 Tech Lighting, L.L.C. All Rights Reserved. The "Tech Lighting" graphic is a registered trademark of Tech Lighting, L.L.C.
 Tech Lighting reserves the right to change specifications for product improvements without notification.