

# LINEAR SUSPENSION

## Zhane Trio Suspension



### DESCRIPTION

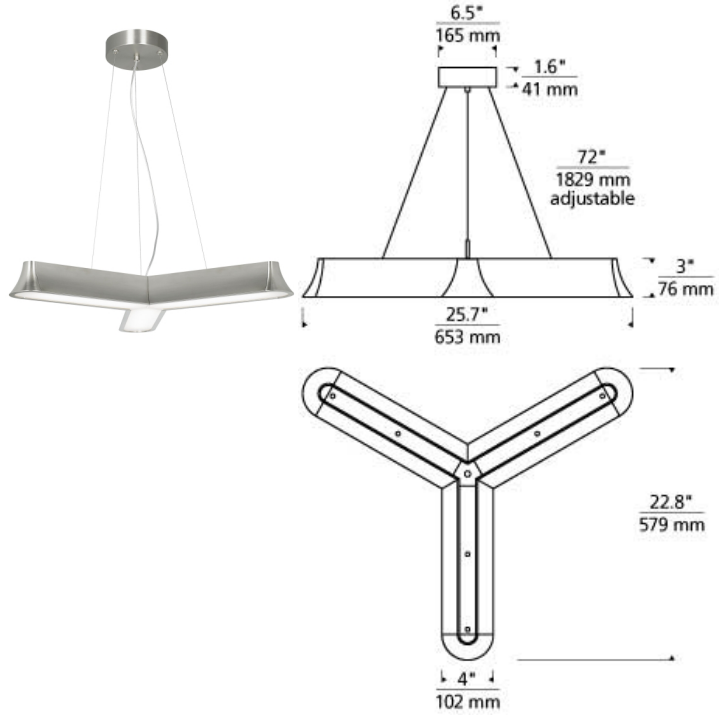
The Zhane Trio suspension piece by Tech Lighting is ultra-modern in design and boasts three softly sculpted extensions that diverge from the middle providing a grand scale of visual dimension in opposite directions. The bottom of this sleek suspension piece features an acrylic diffuser which provides a glare-free wash of light through each of its three arms. Due to its wide scale and modest height the Zhane Trio is ideal for dining room lighting, foyer lighting and home office lighting. Available lamping options include fully-dimmable integrated LED lamping to save you both time and money. Sleek and elegant, this piece features a bottom acrylic diffuser which provides a glare-free wash of light from the LED light source in each of the three arms. Includes three 30 watt, 1800 lumen, 3000K field-replaceable LED modules. Fixture provided with 9 feet of field-cuttable cloth cord and 6 feet of aircraft cable. Dimmable with low-voltage electronic dimmer.

### INSTALLATION

This product can mount to either a 4" square electrical box with round plaster ring or an octagonal electrical box (not included).

### WEIGHT

8.5-9lb / 3.86-4.08kg ±



black

satın nickel

### ORDERING INFORMATION

700ZHNT FINISH

LAMP

- B BLACK RUBBERIZED
- S SATIN NICKEL

- LED LED 80 CRI 3000V 120V
- LED277 LED 80 CRI 3000V 277V



**TECH LIGHTING®**

7400 Linder Avenue T 847.410.4400  
Skokie, Illinois 60077 F 847.410.4500

Tech Lighting, L.L.C.

700ZHNT \_\_\_\_\_

FIXTURE TYPE: \_\_\_\_\_

JOB NAME: \_\_\_\_\_

NOTES: \_\_\_\_\_

\_\_\_\_\_

\_\_\_\_\_

